

HECHT®

made for garden

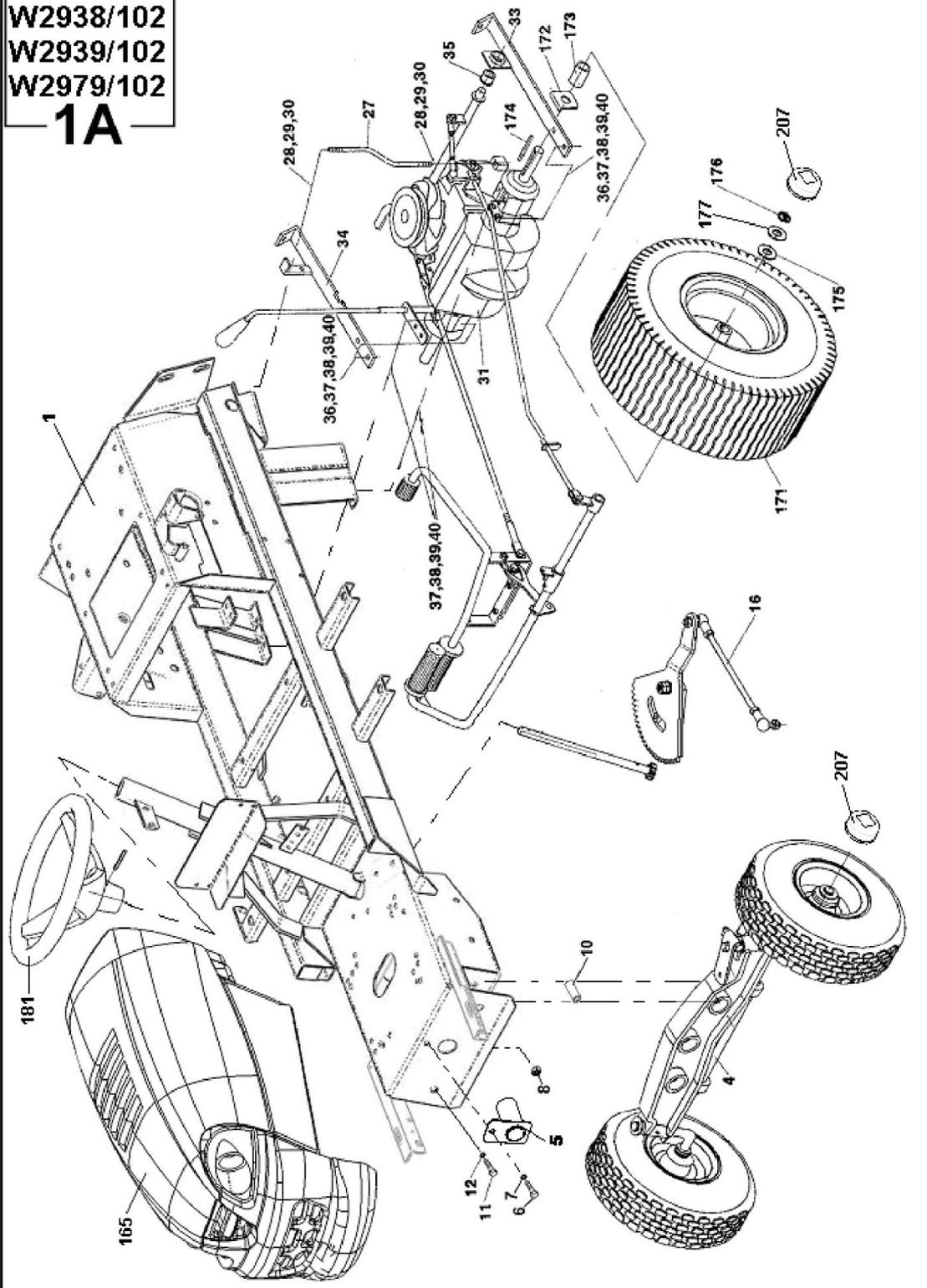
HECHT 5938



| Tab. | Obsah | Contents | Str. |
|------|---------------------------------|---------------------------------|------|
| 1 | Žací stroj | Lawn Tractor | 5 |
| 2 | Náprava | Front Axle | 14 |
| 3 | Řízení | Steering | 16 |
| 4 | Motor, náhon pojezdu | Engine, Drive system | 18 |
| 5 | Zadní náprava - ovládání | Hydrostatic Transaxle - Control | 21 |
| 6 | Zvedání sekačky | Mowing Deck Lift System | 24 |
| 7 | Sekačka 102 | Mowing Deck 102 | 26 |
| 8 | Tunel | Tunnel | 29 |
| 9 | Zásobník rozložený | Grass Collector | 31 |
| 10 | Kapota s příslušenstvím 110 B20 | Hood and Accessories | 33 |
| 11 | Zvedání zásobníku | Grass Collector Lift | 35 |
| 12 | Elektrovýzbroj | Electrical System | 37 |
| 13 | Bezpečnostní štítky | Safety decals and labels | 41 |

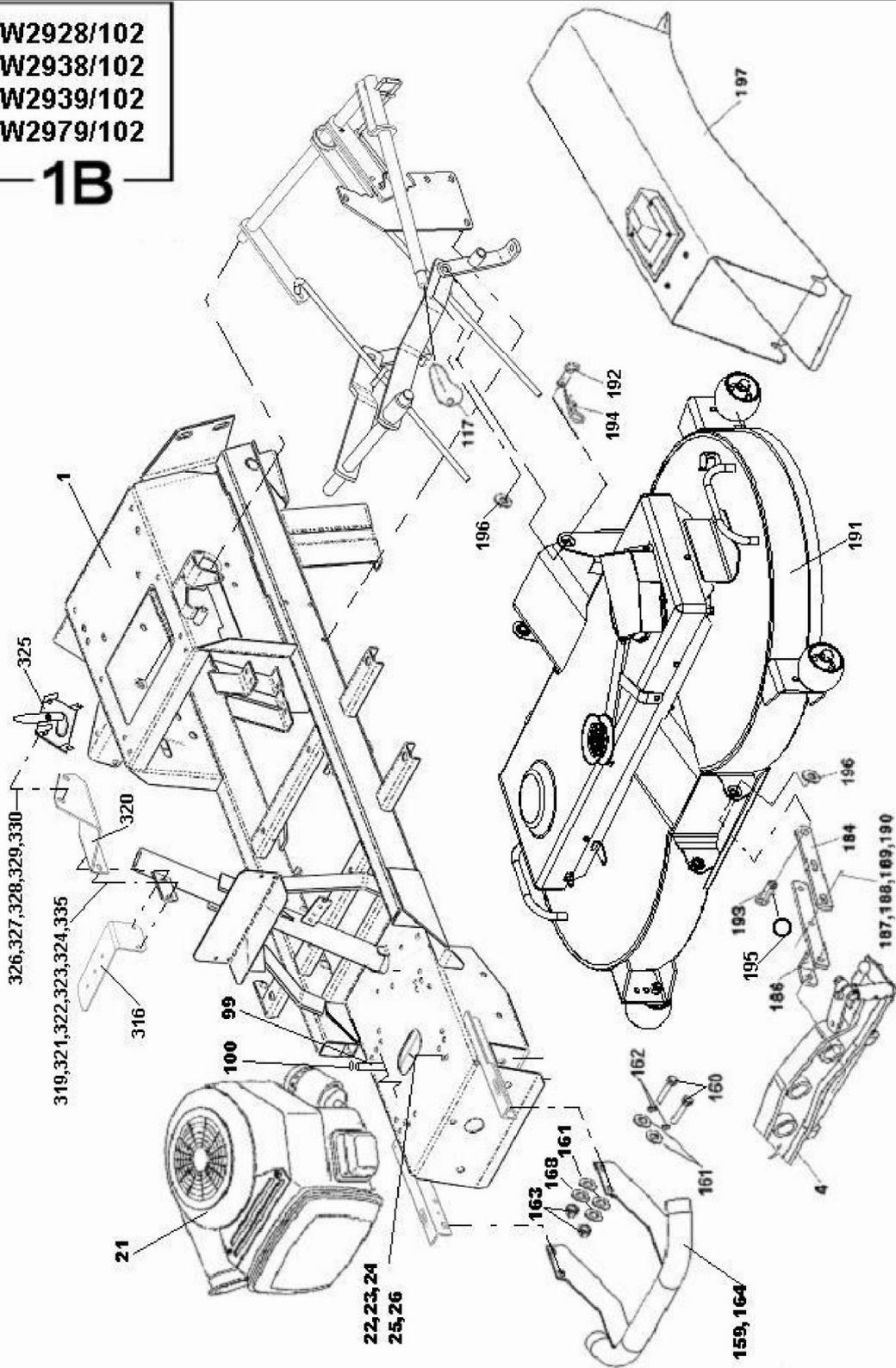
| PŘEHLED HLAVNÍCH SESTAV | | | |
|-------------------------|---------------------------------------|--------------------------------------|-------|
| 1 | Žací stroj W2928/102 | Lawn Tractor W2928/102 | E5602 |
| 1 | Žací stroj W2938/102 | Lawn Tractor W2938/102 | E5608 |
| 1 | Žací stroj W2939/102 | Lawn Tractor W2939/102 | E5667 |
| 1 | Zací stroj W2979/102 | Lawn Tractor W2979/102 | E3761 |
| 2 | Náprava | Front Axle | E4334 |
| 3 | Řízení | Steering | E5579 |
| 4 | Motor Briggs 18; náhon pojezdu W2928 | Engine Briggs 18; Drive system W2928 | E5649 |
| 4 | Motor Kohler 18; náhon pojezdu W2938 | Engine Kohler 18; Drive system W2938 | E5612 |
| 4 | Motor Kohler 20; náhon pojezdu W2939 | Engine Kohler 20; Drive system W2939 | E5614 |
| 4 | Motor Intek 20; náhon pojezdu W2979 | Enginr Kohler 20; Drive systém W2979 | E3764 |
| 5 | Zadní náprava - ovládání | Hydrostatic transaxle - Control | E5692 |
| 6 | Zvedání sekačky 102 | Mowing Deck Lift System | E5574 |
| 7 | Sekačka 102 | Mowing Deck 102 | E3180 |
| 8 | Tunel | Tunnel | E5385 |
| 9 | Zásobník rozložený | Grass Collector | Y0680 |
| 10 | Kapota s příslušenstvím 110 B20 | Hood and Accessories | E4577 |
| 10 | Kapota s příslušenstvím H20 W2979/102 | Hood and Accessories H20 W2979/102 | E4598 |
| 11 | Zvedání zásobníku | Grass Collector Lift | E5641 |
| 12 | Elektrovýzbroj W2928/102 | Electrical System W2928/102 | E3747 |
| 12 | Elektrovýzbroj W2938/102 | Electrical System W2938/102 | E3749 |
| 12 | Elektrovýzbroj W2939/102 | Electrical System W2939/102 | E3749 |
| 12 | Elektrovýzbroj Intek W2979/102 | Electrical systém W2979/102 | E3780 |
| 13 | Bezpečnostní štítky | Safety decals and labels | --- |

W2928/102
W2938/102
W2939/102
W2979/102
1A



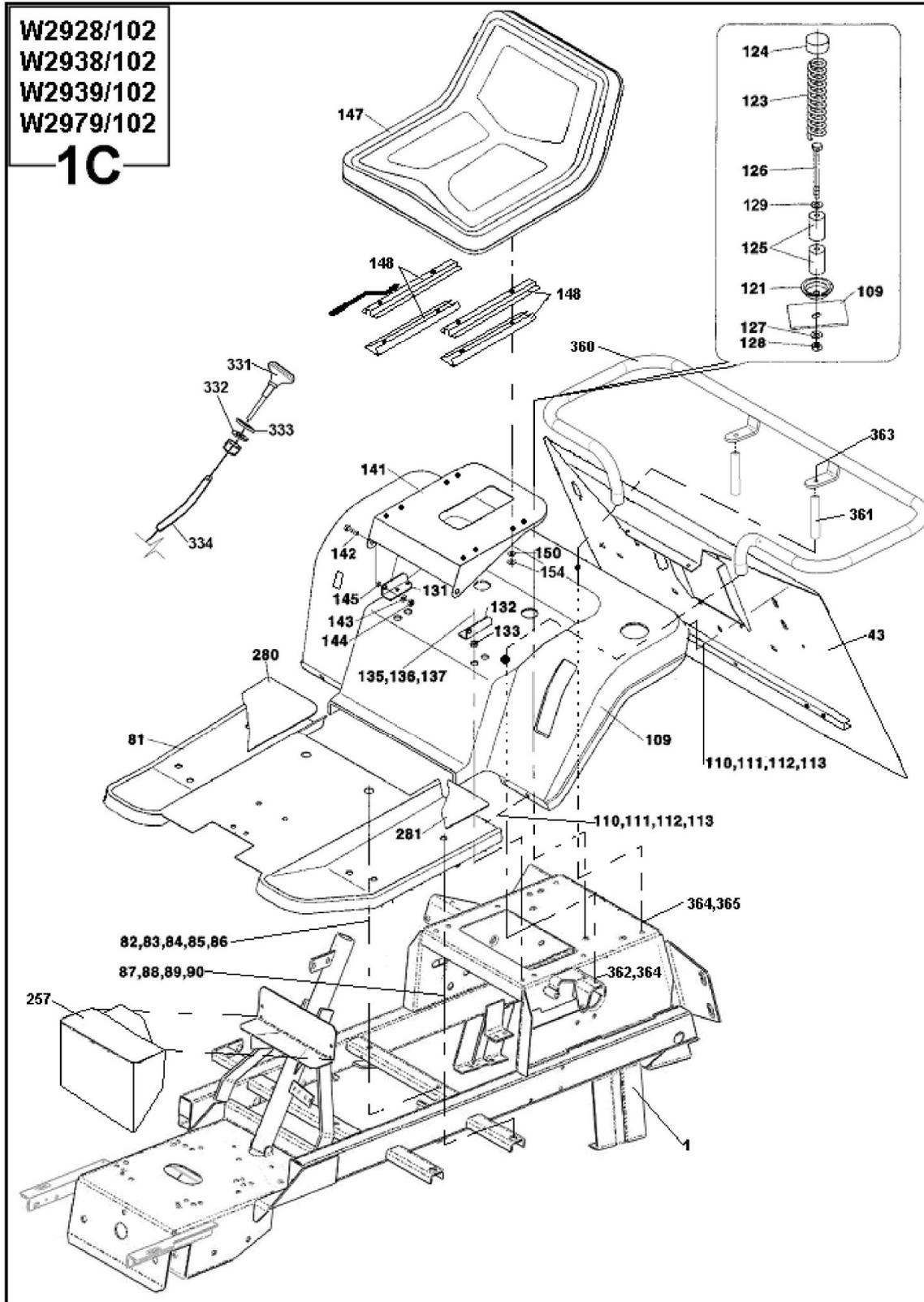
W2928/102
W2938/102
W2939/102
W2979/102

1B

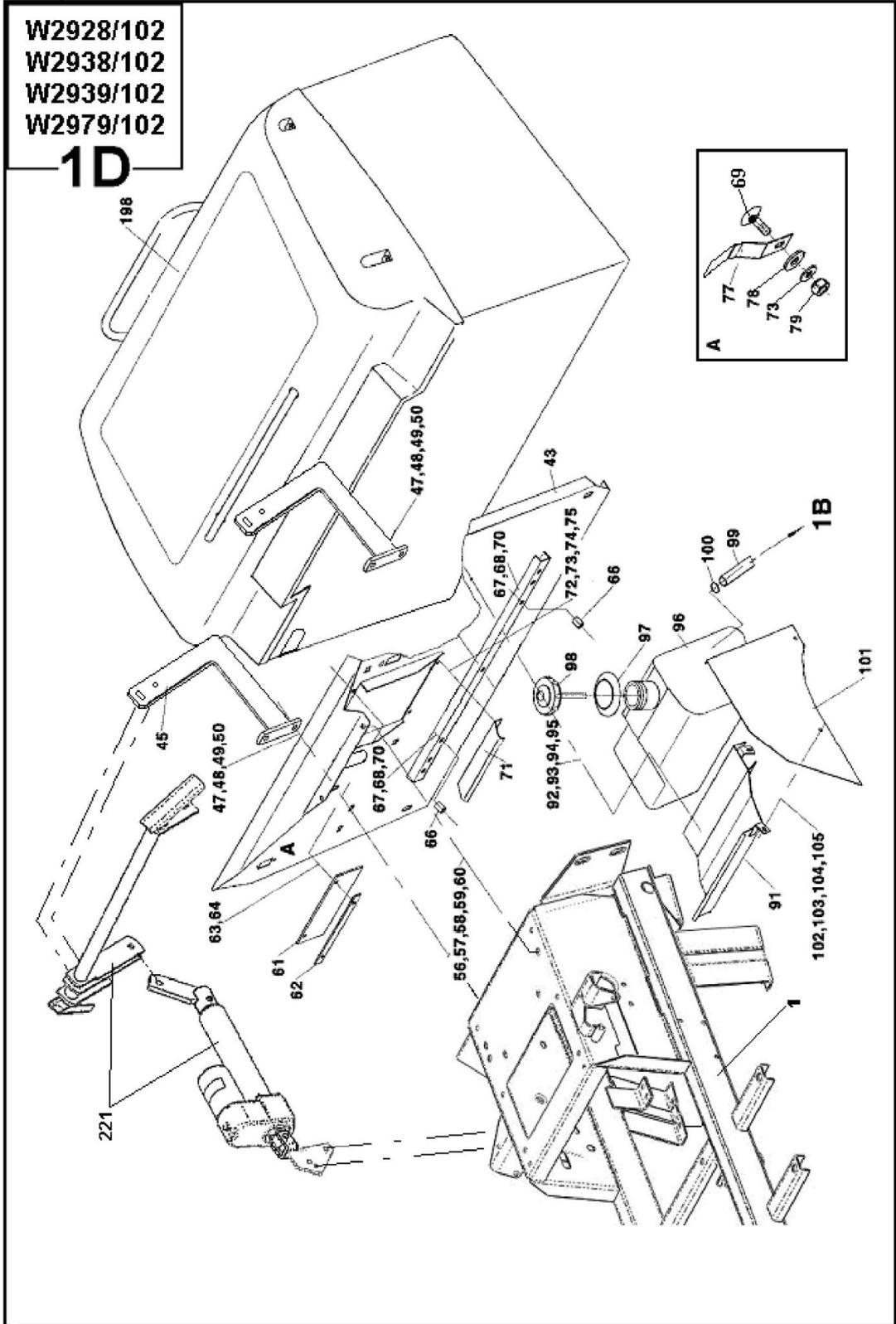


W2928/102
W2938/102
W2939/102
W2979/102

1C



W2928/102
W2938/102
W2939/102
W2979/102
1D



| 1 | Žací stroj | Lawn Tractor | 4 | | | | |
|----|----------------------------------|-------------------------------|--------|-----------|-----------|-----------|-----------|
| 1 | 2 | 2 | 3 | W2928/102 | W2938/102 | W2939/102 | W2979/102 |
| 01 | Rám | Frame | E7272 | 1 | 1 | 1 | 1 |
| 04 | Náprava | Axle | E4334 | 1 | 1 | 1 | 1 |
| 05 | Čep nápravy | Front Axle Spindle | E4606 | 1 | 1 | 1 | 1 |
| 06 | Šroub M8x18 | Bolt M8x18 | 664284 | 1 | 1 | 1 | 1 |
| 07 | Podložka 8,4 | Washer 8,4 | 070812 | 1 | 1 | 1 | 1 |
| 08 | Matice M8 | Nut M8 | 596142 | 1 | 1 | 1 | 1 |
| 10 | Rozpěrka | Spacer | E5455 | 2 | 2 | 2 | 2 |
| 11 | Šroub M12x75 | Bolt M12x75 | 066821 | 2 | 2 | 2 | 2 |
| 12 | Podložka 12 | Washer 12 | 071555 | 2 | 2 | 2 | 2 |
| 16 | Řízení | Steering | E5579 | 1 | 1 | 1 | 1 |
| 21 | Motor Briggs 18 náhon pojezdu | Engine Briggs 18 Drive system | E5649 | 1 | - | - | - |
| 21 | Motor Kohler 18 náhon pojezdu | Engine Kohler 18 Drive system | E5612 | - | 1 | - | - |
| 21 | Motor Kohler 20 náhon pojezdu | Engine Kohler 20 Drive system | E5614 | - | - | 1 | - |
| 21 | Motor Intek 20 náhon pojezdu | Engine Intek 20 Drive system | E3764 | - | - | - | 1 |
| 22 | Šroub M8x40 | Bolt M8x40 | 066646 | 1 | 1 | 1 | 1 |
| 23 | Šroub M8x35 | Bolt M8x35 | 686980 | 3 | 3 | 3 | 3 |
| 25 | Podložka M8 (8,2x18-2,35) | Washer M8 (8,2x18-2,35) | 041040 | 4 | 4 | 4 | 4 |
| 26 | Matice M8 | Nut M8 | 070084 | 4 | 4 | 4 | 4 |
| 27 | Táhlo | Draw Rod | E3064 | 1 | 1 | 1 | 1 |
| 28 | Podložka 8,4 | Washer 8,4 | 070812 | 2 | 2 | 2 | 2 |
| 29 | Podložka 8 | Washer 8 | 276721 | 2 | 2 | 2 | 2 |
| 30 | Matice M8 | Nut M8 | 070084 | 4 | 4 | 4 | 4 |
| 31 | Zadní náprava ovládání | Hydrostatic Transaxle Control | E5692 | 1 | 1 | 1 | 1 |
| 33 | Držák levý | Support left | E3500 | 1 | 1 | 1 | 1 |
| 34 | Držák pravý | Support right | E3501 | 1 | 1 | 1 | 1 |
| 35 | Pouzdro 4-D0107 | Bushing 4-D0107 | 011572 | 1 | 1 | 1 | 1 |
| 36 | Šroub M8x65 | Bolt M8x65 | 017626 | 4 | 4 | 4 | 4 |
| 37 | Podložka 8 | Washer 8 | 276721 | 8 | 8 | 8 | 8 |
| 38 | Matice M8 | Nut M8 | 070084 | 8 | 8 | 8 | 8 |
| 39 | Podložka 8,4 | Washer 8,4 | 070812 | 4 | 4 | 4 | 4 |
| 40 | Šroub M8x65 | Bolt M8x65 | 017626 | 4 | 4 | 4 | 4 |
| 41 | Zvedání sekačky | Deck Lift | E5574 | 1 | 1 | 1 | 1 |
| 43 | Zadní deska | Rear Panel | E7276 | 1 | 1 | 1 | 1 |
| 45 | Držák zásobníku | Support Collector | E5628 | 2 | 2 | 2 | 2 |
| 47 | Šroub M10x30 | Bolt M10x30 | 067354 | 4 | 4 | 4 | 4 |
| 48 | Podložka | Washer | E3019 | 4 | 4 | 4 | 4 |
| 49 | Podložka 10 | Washer 10 | 071541 | 4 | 4 | 4 | 4 |
| 50 | Matice M10 | Nut M10 | 070091 | 4 | 4 | 4 | 4 |
| 56 | Šroub M8x25 | Bolt M8x25 | 061251 | 2 | 2 | 2 | 2 |
| 57 | Podložka 10,5 | Washer 10,5 | 070504 | 2 | 2 | 2 | 2 |
| 58 | Podložka 8,4 | Washer 8,4 | 070812 | 2 | 2 | 2 | 2 |
| 59 | Podložka 8 | Washer 8 | 276721 | 2 | 2 | 2 | 2 |
| 60 | Matice M8 | Nut M8 | 070084 | 2 | 2 | 2 | 2 |
| 61 | Clona | Baffle | E0537 | 1 | 1 | 1 | 1 |
| 62 | Přiložka | Member | E0549 | 1 | 1 | 1 | 1 |
| 63 | Šroub M6x20 | Bolt M6x20 | 077042 | 2 | 2 | 2 | 2 |

| 1 | Žací stroj | Lawn Tractor | 4 | | | | |
|-----|------------------------------|-------------------------------|--------|----|----|----|-----------|
| | | | | 1 | 2 | 3 | W2928/102 |
| 64 | Matice M6 | Nut M6 | 596275 | 2 | 2 | 2 | 2 |
| 65 | Opěra | Rest | E0538 | 1 | 1 | 1 | 1 |
| 66 | Rozpěrka L=20 zink. | Spacer L=20 zinc. | Y0203 | 2 | 2 | 2 | 2 |
| 67 | Šroub M8x40 | Bolt M8x40 | 066646 | 2 | 2 | 2 | 2 |
| 68 | Podložka 8,4 | Washer 8,4 | 071226 | 4 | 4 | 4 | 4 |
| 69 | Šroub M6x20 | Bolt M6x20 | 151516 | 1 | 1 | 1 | 1 |
| 70 | Matice M8 | Nut M8 | 596142 | 2 | 2 | 2 | 2 |
| 71 | Kluzák | Slide | E3883 | 1 | 1 | 1 | 1 |
| 72 | Šroub M6x16 | Bolt M6x16 | 509933 | 2 | 2 | 2 | 2 |
| 73 | Podložka 6,4 | Washer 6,4 | 070805 | 3 | 3 | 3 | 3 |
| 74 | Matice M6 | Nut M6 | 068902 | 2 | 2 | 2 | 2 |
| 75 | Podložka 6 | Washer 6 | 276700 | 2 | 2 | 2 | 2 |
| 77 | Pružina | Spring | D5022 | 1 | 1 | 1 | 1 |
| 78 | Podložka 9 | Washer 9 | 071226 | 1 | 1 | 1 | 1 |
| 79 | Matice M6 | Nut M6 | 596275 | 1 | 1 | 1 | 1 |
| 80 | Šroub M8x18 | Bolt M8x18 | 664284 | 2 | 2 | 2 | 2 |
| 81 | Podlaha | Floor Panel | E4579 | 1 | 1 | 1 | 1 |
| 82 | Šroub M8x20 | Bolt M8x20 | 061244 | 2 | 2 | 2 | 2 |
| 83 | Podložka 10,5 | Washer 10,5 | 070504 | 2 | 2 | 2 | 2 |
| 84 | Podložka 8,4 | Washer 8,4 | 070812 | 4 | 4 | 4 | 4 |
| 85 | Podložka 8 | Washer 8 | 276721 | 4 | 4 | 4 | 4 |
| 86 | Matice M8 | Nut M8 | 070084 | 4 | 4 | 4 | 4 |
| 87 | Šroub M8x20 | Bolt M8x20 | 278893 | 4 | 4 | 4 | 4 |
| 88 | Podložka 18 | Washer 18 | 071254 | 4 | 4 | 4 | 4 |
| 89 | Podložka 9 | Washer 9 | 071226 | 6 | 6 | 6 | 6 |
| 90 | Matice M8 | Nut M8 | 596142 | 4 | 4 | 4 | 4 |
| 91 | Kryt | Cover | E2963 | 1 | 1 | 1 | 1 |
| 92 | Šroub M6x16 | Bolt M6x16 | 067242 | 2 | 2 | 2 | 2 |
| 93 | Podložka 6,4 | Washer 6,4 | 070805 | 4 | 4 | 4 | 4 |
| 94 | Podložka 6 | Washer 6 | 276700 | 2 | 2 | 2 | 2 |
| 95 | Matice M6 | Nut M6 | 590025 | 2 | 2 | 2 | 2 |
| 96 | Palivová nádrž | Fuel Tank | E2960 | 1 | 1 | 1 | 1 |
| 97 | Manžeta 4-E2962 | Gasket 4-E2962 | 022290 | 1 | 1 | 1 | 1 |
| 98 | Palivoměr Kelch 9,75" 106945 | Fuel Gauge Kelch 9,75" 106945 | 022612 | 1 | 1 | 1 | 1 |
| 99 | Hadice L=1450 | Hose L=1450 | Y0233 | 1 | - | - | 1 |
| 99 | Hadice L=1500 | Hose L=1500 | Y0629 | - | 1 | 1 | - |
| 100 | Hadicová spona | Hose Clamp | 025632 | 2 | 2 | 2 | 2 |
| 101 | Kryt nádrže | Cover Fuel Tank | E2968 | 1 | 1 | 1 | 1 |
| 102 | Šroub M6x12 | Bolt M6x12 | 094553 | 2 | 2 | 2 | 2 |
| 103 | Podložka 6,4 | Washer 6,4 | 070805 | 2 | 2 | 2 | 2 |
| 104 | Podložka 6 | Washer 6 | 276700 | 2 | 2 | 2 | 2 |
| 105 | Matice M6 | Nut M6 | 590025 | 2 | 2 | 2 | 2 |
| 106 | Hadice L=340 | Hose L=340 | Y0683 | - | 1 | 1 | - |
| 109 | Blatník | Fender | E6211 | 1 | 1 | 1 | 1 |
| 110 | Šroub M8x20 | Bolt M8x20 | 067291 | 6 | 6 | 6 | 6 |
| 111 | Podložka 9 | Washer 9 | 071226 | 10 | 10 | 10 | 10 |
| 112 | Podložka 8 | Washer 8 | 276721 | 6 | 6 | 6 | 6 |
| 113 | Matice M8 | Nut M8 | 070084 | 4 | 4 | 4 | 4 |
| 117 | Rukojet 4-D0387 | Grip 4-D0387 | 008702 | 1 | 1 | 1 | 1 |
| 121 | Miska | Bowl | E0025 | 2 | 2 | 2 | 2 |

| 1 | Žací stroj | Lawn Tractor | 4 | | | | |
|--------|------------------------------------|------------------------------------|--------|---|---|---|-----------|
| | | | | 1 | 2 | 3 | W2928/102 |
| 123 | Pružina 4-E3057 zink. | Spring 4-E3057 zink. | 022346 | 2 | 2 | 2 | 2 |
| 124 | Víčko 4-D0658 | Spring Cap 4-D0658 | 008170 | 2 | 2 | 2 | 2 |
| 125 | Váleček 4-D0386 | Roller 4-D0386 | 008156 | 4 | 4 | 4 | 4 |
| 126 | Šroub M8x70 | Bolt M8x70 | 120784 | 2 | 2 | 2 | 2 |
| 127 | Podložka 8,4 | Washer 8,4 | 070812 | 2 | 2 | 2 | 2 |
| 128 | Matice M8 | Nut M8 | 070084 | 2 | 2 | 2 | 2 |
| 129 | Podložka 9 | Washer 9 | 071226 | 2 | 2 | 2 | 2 |
| 131 | Konzola pravá | Bracket right | E0022 | 1 | 1 | 1 | 1 |
| 132 | Konzola leva | Bracket Left | E0023 | 1 | 1 | 1 | 1 |
| 133 | Podložka | Washer | E0026 | 4 | 4 | 4 | 4 |
| 135 | Šroub M8x25 | Bolt M8x25 | 068090 | 4 | 4 | 4 | 4 |
| 136 | Podložka 8 | Washer 8 | 276721 | 4 | 4 | 4 | 4 |
| 137 | Matice M8 | Nut M8 | 070084 | 4 | 4 | 4 | 4 |
| 141 | Nosič sedačky | Seat Carrier | E4394 | 1 | 1 | 1 | 1 |
| 142 | Šroub M8x20 | Bolt M8x20 | 067291 | 2 | 2 | 2 | 2 |
| 143 | Podložka 8,4 | Washer 8,4 | 070812 | 4 | 4 | 4 | 4 |
| 144 | Matice M8 | Nut M8 | 596142 | 2 | 2 | 2 | 2 |
| 145 | Rozpěrka L=4-0,3 zink. | Spacer L=4-0,3 zink. | Y0414 | 2 | 2 | 2 | 2 |
| 147 | Sedadlo RM1600 | Seat RM1600 | 009760 | 1 | 1 | 1 | 1 |
| 148 | Kluzák sedadla RM1600 | Slide Seat RM1600 | E6962 | 1 | 1 | 1 | 1 |
| 150 | Podložka 11 | Washer 11 | 071233 | 4 | 4 | 4 | 4 |
| 154 | Podložka 8 | Washer 8 | 276721 | 4 | 4 | 4 | 4 |
| 155 | Podložka 9 | Washer 9 | 071226 | 4 | 4 | 4 | 4 |
| 159 | Nárazník | Bumper | E6291 | 1 | 1 | 1 | 1 |
| 160 | Šroub M8x30 | Bolt M8x30 | 067312 | 4 | 4 | 4 | 4 |
| 161 | Podložka 8,4 | Washer 8,4 | 070812 | 8 | 8 | 8 | 8 |
| 162 | Podložka 8 | Washer 8 | 276721 | 4 | 4 | 4 | 4 |
| 163 | Matice M8 | Nut M8 | 070084 | 4 | 4 | 4 | 4 |
| 164 | Zátka 085-034-45 | Cover 085-034-45 | 040955 | 2 | 2 | 2 | 2 |
| 165 | Kapota s příslušenstvím 110B20 | Hood 110 B20 | E4577 | 1 | 1 | 1 | 1 |
| 165 | Kapota s příslušenstvím H20 | Hood H20 | E4578 | - | - | - | 1 |
| 166 | Šroub 4,2x13-K (TEKX) (sestava 10) | Bolt 4,2x13-K (TEKX) (Assembly 10) | 232050 | 2 | 2 | 2 | 2 |
| 168 | Podložka M10 | Washer M10 | 024931 | 4 | 4 | 4 | 4 |
| ***171 | Kolo 20x8,00-8 | Wheel 20x8,00-8 | 041436 | 2 | 2 | 2 | 2 |
| 171 | Kolo 20x10,00 -8 | Wheel 20x10,00-8 | 019210 | - | - | - | 2 |
| 172 | Opěrka | Bracket | E0091 | 2 | 2 | 2 | 2 |
| ***173 | Pouzdro | Bushing | E0226 | 2 | 2 | 2 | 2 |
| 173 | Pouzdro | Bushing | E0092 | - | - | - | 2 |
| 174 | Pero | Key | D5057 | 2 | 2 | 2 | 2 |
| ***175 | Podložka | Washer | E3171 | 2 | 2 | 2 | 2 |
| 176 | Kroužek 15 | Ring 15 | 007252 | 2 | 2 | 2 | 2 |
| 177 | Podložka 19,5 | Washer 19,5 | E3172 | 2 | 2 | 2 | 2 |
| 181 | Volant | Steering Wheel | 080234 | 1 | 1 | 1 | 1 |
| 184 | Táhlo | Draw Rod | E0078 | 2 | 2 | 2 | 2 |
| 186 | Závěs | Hitch | E2927 | 2 | 2 | 2 | 2 |
| 187 | Šroub M10x35 | Bolt M10x35 | 066723 | 4 | 4 | 4 | 4 |
| 188 | Podložka 10,5 | Washer 10,5 | 070504 | 8 | 8 | 8 | 8 |
| 189 | Podložka 10 | Washer 10 | 071541 | 4 | 4 | 4 | 4 |
| 190 | Matice M10 | Nut M10 | 070091 | 4 | 4 | 4 | 4 |
| 191 | Sekačka 102 | Mowing Deck 102 | E3180 | 1 | 1 | 1 | 1 |
| 192 | Kolík | Pin | E0089 | 2 | 2 | 2 | 2 |
| 193 | Kolík | Pin | E0081 | 2 | 2 | 2 | 2 |

| 1 | | Lawn Tractor | | 4 | | | |
|-----|-----------------------------------|---------------------------------------|--------|-----------|-----------|-----------|-----------|
| 1 | 2 | 2 | 3 | W2928/102 | W2938/102 | W2939/102 | W2979/102 |
| 194 | Pojistka 4-03526 zink. | Retainer 4-03526 zinc. | 081614 | 2 | 2 | 2 | 2 |
| 195 | Kroužek na klíče - PR 30 mm | Ring 30 mm | 593962 | 2 | 2 | 2 | 2 |
| 196 | Podložka | Washer | D0306 | 2 | 2 | 2 | 2 |
| 197 | Tunel | tunnel | E5385 | 1 | 1 | 1 | 1 |
| 198 | Zásobník rozložený pro bal. | Collector | Y0780 | 1 | 1 | 1 | 1 |
| 200 | Šroub M8x16 | Bolt M8x16 | 068076 | 1 | 1 | 1 | 1 |
| 201 | Podložka 8 | Washer 8 | 276721 | 2 | 2 | 2 | 2 |
| 202 | Podložka 8,4 | Washer 8,4 | 070812 | 1 | 1 | 1 | 1 |
| 203 | Matice M8 | Nut M | 070084 | 1 | 1 | 1 | 1 |
| 207 | Krytka 3-E5330 | Cover 3-E5330 | 005696 | 4 | 4 | 4 | 4 |
| 221 | Zvedání zásobníku | Lift, Collector | E7257 | 1 | 1 | 1 | 1 |
| 251 | Elektrovýzbroj W2928 (sestava12) | Electrical system W2928 (Assembly12) | E3747 | 1 | - | - | - |
| 251 | Elektrovýzbroj Kohler (sestava12) | Electrical system Kohler (Assembly12) | E3749 | - | 1 | 1 | - |
| 251 | Elektrovýzbroj Intek (sestava12) | Electrical system Intek (Assembly12) | E3780 | - | - | - | 1 |
| 257 | Kryt spodní 2-E3227 | Cover lower 2-E3227 | 025884 | 1 | 1 | 1 | 1 |
| 280 | Protiskluzový potah pravý | Anti-Skid matt right | E0140 | 1 | 1 | 1 | 1 |
| 281 | Protiskluzový potah levý | Anti-Skid matt left | E0139 | 1 | 1 | 1 | 1 |
| 316 | Držák | Support | E4575 | 1 | 1 | 1 | 1 |
| 319 | Podložka 6,4 | Washer 6,4 | 070805 | 2 | 2 | 2 | 2 |
| 320 | Držák plynu 110 | Support Throttle 110 | E4574 | 1 | 1 | 1 | 1 |
| 321 | Šroub M6x25 | Bolt M6x25 | 090384 | 2 | 2 | 2 | 2 |
| 322 | Podložka 6,4 | Washer 6,4 | 070805 | 4 | 4 | 4 | 4 |
| 323 | Podložka 6 | Washer 6 | 276700 | 2 | 2 | 2 | 2 |
| 324 | Matice M6 | Nut M6 | 590025 | 2 | 2 | 2 | 2 |
| 325 | Ovladač plynu | Control Throttle | E3045 | 1 | - | - | - |
| 325 | Ovladač plynu | Control Throttle | E5659 | - | 1 | 1 | 1 |
| 326 | Šroub M5x20 | Bolt M5x20 | 037100 | 2 | 2 | 2 | 2 |
| 327 | Podložka 5,3 | Washer 5,3 | 070476 | 2 | 2 | 2 | 2 |
| 328 | Podložka 5,5 | Washer 5,5 | 071205 | 2 | 2 | 2 | 2 |
| 329 | Podložka 5 | Washer 5 | 071513 | 2 | 2 | 2 | 2 |
| 330 | Matice M5 | Nut M5 | 069155 | 2 | 2 | 2 | 2 |
| 331 | Ovladač sytiče | Control Choke | E3029 | 1 | - | - | - |
| 331 | Ovladač sytiče | Control Choke | 016750 | - | 1 | 1 | - |
| 331 | Ovladač sytiče | Control Choke | E3779 | - | - | - | 1 |
| 332 | Podložka | Washer | D3258 | 1 | 1 | 1 | 1 |
| 333 | Podložka | Washer | D4245 | 1 | 1 | 1 | 1 |
| 334 | Trubička izol. L=600 | Tube isol. L=600 | Y0415 | 1 | - | - | 1 |
| 334 | Trubička izol. L=1m | Tube isol. L=1m | Y0684 | - | 1 | 1 | - |
| 335 | Pásek stahovací 100x2,5 | Strap 100x2,5 | 017941 | - | - | - | 1 |
| 360 | Madlo | Grab Bar | E7239 | 1 | 1 | 1 | 1 |
| 361 | Distanční trubka | Spacing tube | E7262 | 2 | 2 | 2 | 2 |
| 362 | Šroub M10x25 | Bolt M10x25 | 067340 | 2 | 2 | 2 | 2 |
| 363 | Šroub M10x120 | Bolt M10x120 | 678071 | 2 | 2 | 2 | 2 |
| 364 | Podložka 10 | Washer 10 | 071541 | 4 | 4 | 4 | 4 |
| 365 | Matice M10 | Nut M10 | 070091 | 2 | 2 | 2 | 2 |
| 368 | Příložka | Member | E7279 | 2 | 2 | 2 | 2 |

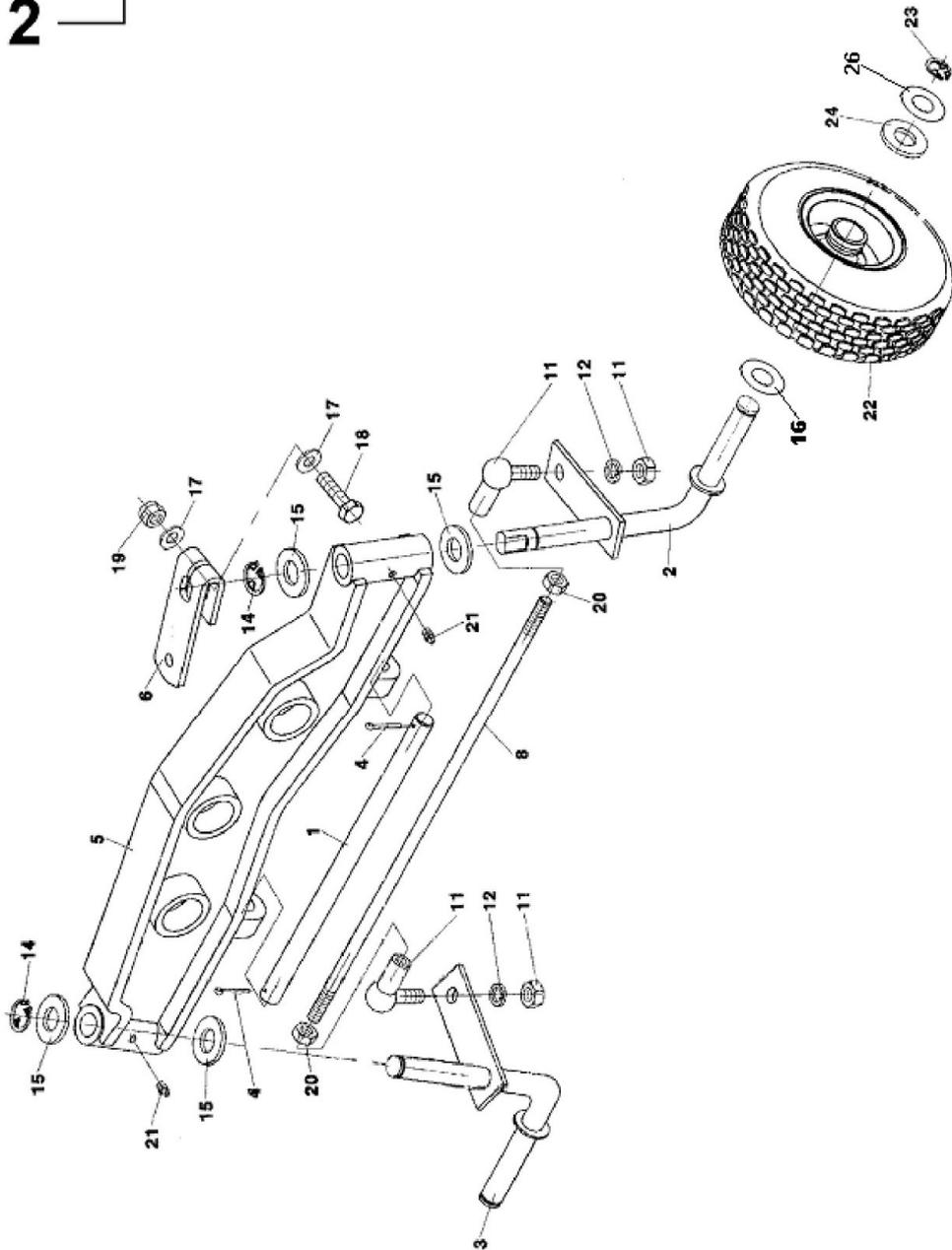
***** !!! POZOR !!!**

Pokud jsou na samojízdné rotační sekačce montovány zadní kola s rozměry „20 x 10,00 – 8“, mění se pozice 171, 173 a 175 následovně:

| | | | | | | | | | |
|------------|-----------------|------------------|---------------|----------|----------|----------|----------|----------|----------|
| 171 | Kolo 20x10,00-8 | Wheel 20x10,00-8 | 019210 | 2 | 2 | 2 | 2 | 2 | 2 |
| 173 | Pouzdro | Bushing | E0092 | 2 | 2 | 2 | 2 | 2 | 2 |
| 175 | Podložka 19 | Washer 19 | 070546 | 2 | 2 | 2 | 2 | 2 | 2 |

W2928/102
W2938/102
W2939/102
W2979/102

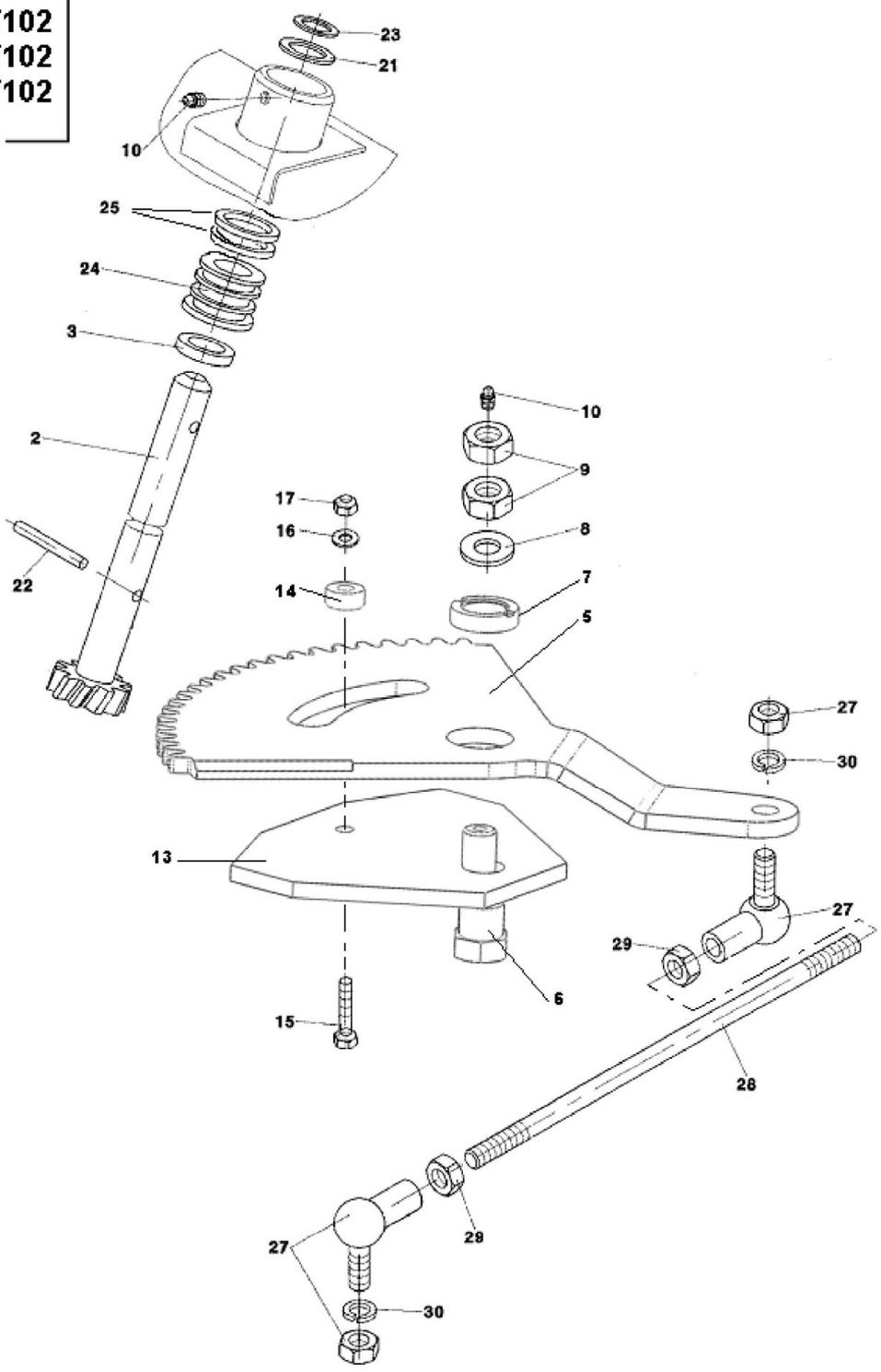
2



| 2 | | Axle | | 4 | | | |
|-----------|-----------------------|----------------------|---------------|-----------|-----------|-----------|-----------|
| 1 | 2 | 2 | 3 | W2928/102 | W2938/102 | W2939/102 | W2979/102 |
| 01 | Čep | Axle Pin | E0348 | 1 | 1 | 1 | 1 |
| 02 | Čep levý | King Pin, Left | E2921 | 1 | 1 | 1 | 1 |
| 03 | Čep pravý | King Pin, Right | E0339 | 1 | 1 | 1 | 1 |
| 04 | Pojistka 4-03526 | Retainer 4-03526 | 081614 | 2 | 2 | 2 | 2 |
| 05 | Nápravnice | Axle Body | E0343 | 1 | 1 | 1 | 1 |
| 06 | Patka | Steering Bracket | D0905 | 1 | 1 | 1 | 1 |
| 08 | Spojovací táhlo | Steering Con Rod | E0346 | 1 | 1 | 1 | 1 |
| 11 | Kulový čep 636610 | Ball Joint 636610 | 006572 | 2 | 2 | 2 | 2 |
| 12 | Podložka 10 | Washer 10 | 071541 | 2 | 2 | 2 | 2 |
| 14 | Kroužek 15 | Ring 15 | 007252 | 2 | 2 | 2 | 2 |
| 15 | Podložka 19 | Washer 19 | 070546 | 4 | 4 | 4 | 4 |
| 16 | Podložka | Washer | D3541 | 6 | 6 | 6 | 6 |
| 17 | Podložka 10,5 | Washer 10,5 | 070504 | 2 | 2 | 2 | 2 |
| 18 | Šroub M10x60 | Bolt M10x60 | 614941 | 1 | 1 | 1 | 1 |
| 19 | Matic M10 | Nut M10 | 596163 | 1 | 1 | 1 | 1 |
| 20 | Matic M10 | Nut M10 | 070091 | 2 | 2 | 2 | 2 |
| 21 | Mazací hlavice KM 6x1 | Grease Nipple KM 6x1 | 280145 | 2 | 2 | 2 | 2 |
| 22 | Kolo 15x6-6,00 | Wheel 15x6-6,00 | 278613 | 2 | 2 | 2 | 2 |
| 23 | Kroužek 15 | Ring 15 | 007252 | 2 | 2 | 2 | 2 |
| 24 | Podložka | Washer | E3171 | 2 | 2 | 2 | 2 |
| 26 | Podložka 19,5 | Washer 19,5 | E3172 | 2 | 2 | 2 | 2 |

Pozn.: Při objednání předních kol jsou ložiska kol součástí objednávky!

W2928/102
W2938/102
W2939/102
W2979/102
3



| 3 | | Steering | | 4 | | | |
|-----------|-----------------------|------------------------|---------------|-----------|-----------|-----------|-----------|
| 1 | 2 | 2 | 3 | W2928/102 | W2938/102 | W2939/102 | W2979/102 |
| 02 | Pastorek úplný | Steering Shaft Adapter | E5577 | 1 | 1 | 1 | 1 |
| 03 | Rozpěrka | Spacer | E3936 | 1 | 1 | 1 | 1 |
| 05 | Ozubený segment | Steering Gear | E5607 | 1 | 1 | 1 | 1 |
| 06 | Ex. Čep | Eccenter Pin | D4787 | 1 | 1 | 1 | 1 |
| 07 | Prstýnek | Adapter | D4789 | 1 | 1 | 1 | 1 |
| 08 | Podložka 13 | Washer 13 | 070511 | 1 | 1 | 1 | 1 |
| 09 | Matice M12x1,25 | Nut M12x1,25 | 696731 | 2 | 2 | 2 | 2 |
| 10 | Mazací hlavice KM 6x1 | Grease Nipple KM 6x1 | 280145 | 2 | 2 | 2 | 2 |
| 13 | Podložka | Washer | D4786 | 1 | 1 | 1 | 1 |
| 14 | Trubka | Tube | D4790 | 1 | 1 | 1 | 1 |
| 15 | Šroub M6x30 | Bolt M6x30 | 126474 | 1 | 1 | 1 | 1 |
| 16 | Podložka 6,4 | Washer 6,4 | 070805 | 1 | 1 | 1 | 1 |
| 17 | Matice M6 | Nut M6 | 596275 | 1 | 1 | 1 | 1 |
| 21 | Podložka 19 | Washer 19 | 070546 | 1 | 1 | 1 | 1 |
| 22 | Kolík 6x32 | Pin 6x32 | 074890 | 1 | 1 | 1 | 1 |
| 23 | Podložka | Washer | D0506 | 1 | 1 | 1 | 1 |
| 24 | Pouzdro 4 – D3531 | Bushing 4 – D3531 | 022143 | 1 | 1 | 1 | 1 |
| 25 | Kroužek 32x24 | Ring 32x24 | 006334 | 2 | 2 | 2 | 2 |
| 27 | Kulový čep 636610 | Ball Joint 636610 | 006572 | 2 | 2 | 2 | 2 |
| 28 | Táhlo řízení | Draw Rod Steering | E0347 | 1 | 1 | 1 | 1 |
| 29 | Matice M10 | Nut M10 | 070091 | 2 | 2 | 2 | 2 |
| 30 | Podložka 10 | Washer 10 | 071541 | 2 | 2 | 2 | 2 |

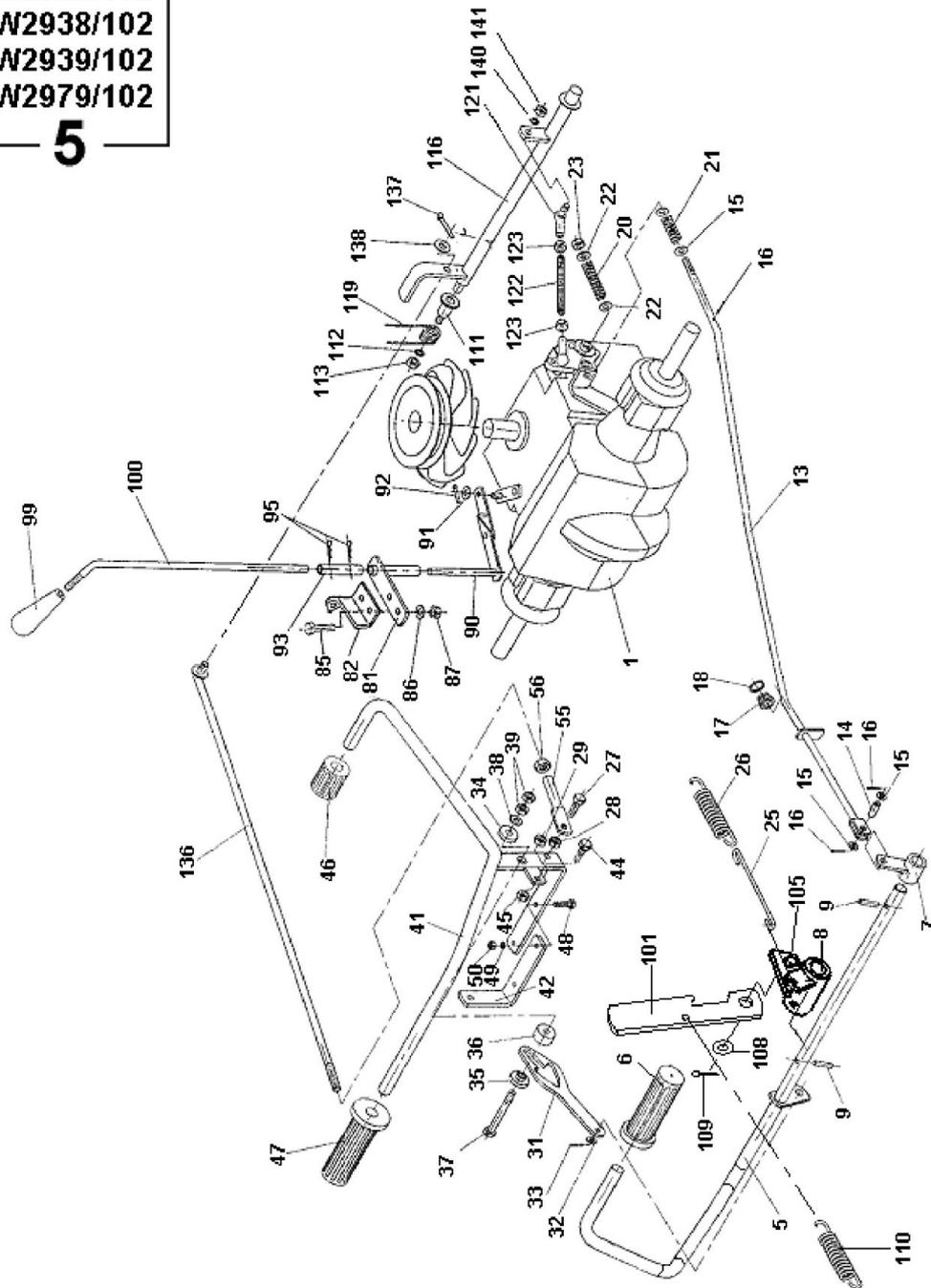
| 4 | Motor, náhon pojezdu | | Engine, Drive system | | 4 | | | |
|-----|-------------------------|-----------------------------------|---------------------------------|--------|-----------|-----------|-----------|-----------|
| | 1 | 2 | 2 | 3 | W2928/102 | W2938/102 | W2939/102 | W2979/102 |
| - | | Motor Briggs 18 - Náhon pojezdu | Engine Briggs 18 - Drive system | E5649 | 1 | - | - | - |
| - | | Motor Kohler 18 - Náhon pojezdu | Engine Kohler 18 - Drive system | E5612 | - | 1 | - | - |
| - | | Motor Kohler 20 - Náhon pojezdu | Engine Kohler 20 - Drive system | E5614 | - | - | 1 | - |
| - | | Motor Intek 20 - Náhon pojezdu | Engine Intek 20 - Drive system | E3764 | - | - | - | 1 |
| 01 | | Motor E350 777 1034 A1 | Engine E350 777 1034 A1 | 027363 | 1 | - | - | - |
| 01 | | Motor Kohler CV 18 S | Engine Kohler CV 18 S | 041908 | - | 1 | - | - |
| 01 | | Motor Kohler CV 20 S | Engine Kohler CV 20 S | 041906 | - | - | 1 | - |
| 01 | | Motor Intek 20 | Engine Intek 20 | 041356 | - | - | - | 1 |
| 02 | | Nástavec | Adjuster | E5679 | - | 1 | 1 | - |
| 03 | | Šroub 3,5x9,5-N (TEKX) | Bolt 3,5x9,5-N (TEKX) | 220750 | - | 2 | 2 | - |
| 09 | | Šroub 5/16" - 18x3/4" UNC | Bolt 5/16" - 18x3/4" UNC | 014823 | - | - | - | 4 |
| 10 | | Podložka 8 | Washer 8 | 276721 | - | - | - | 4 |
| 11 | | Matice M8 | Nut M8 | 070084 | - | 4 | 4 | - |
| 11 | | Držák čerpadla | Pump holder | E3786 | - | - | - | 1 |
| 12 | | Podložka M8 (8,2x18-2,35) | Washer M8 (8,2x18-2,35) | 041040 | - | 4 | 4 | - |
| 12 | | Šroub M6x20 | Bolt M6x20 | 431736 | - | - | - | 2 |
| 13 | | Těsnění výfuku k mot.KOHLER | Seal, Exhaust KOHLER | 229460 | - | 2 | 2 | - |
| 13 | | Podložka M6 | Washer M6 | 041783 | - | - | - | 2 |
| 15 | | Pero | Key | E3000 | 1 | 1 | 1 | 1 |
| 16 | | Řemenice motoru | Pulley Engine | E5665 | 1 | 1 | 1 | - |
| 16 | | Řemenice motoru | Pulley Engine | E5735 | - | - | - | 1 |
| 17 | | Řemen AA128 Double angle besea | Belt AA128 Double angle | 022661 | 1 | 1 | 1 | 1 |
| 21 | | Spojka elmag. | ElectroMag Clutch | Y0465 | 1 | 1 | 1 | 1 |
| 22 | | Podložka | Washer | E3019 | 1 | 1 | 1 | 1 |
| 23 | | Podložka 12 Styková | Washer 12 | 027776 | 1 | 1 | 1 | 1 |
| 24 | | Šroub 7/16" -20x2 1/2" UNF | Bolt 7/16" -20x2 1/2" UNF | 019154 | - | 1 | 1 | 1 |
| 24 | | Šroub 7/16" -20x3" UNF | Bolt 7/16" -20x3" UNF | 060144 | 1 | - | - | - |
| 36 | | Trubka | Tube | D3637 | - | 1 | 1 | 1 |
| 41 | | Kladka | Idler | E3001 | 4 | 4 | 4 | 4 |
| 41a | | Napínací kladka | Tightening idler | E3615 | 4 | 4 | 4 | 4 |
| 41b | | Vložka | Inset | E3612 | 4 | 4 | 4 | 4 |
| 42 | | Distanční trubka | Spacing tube | E0712 | 3 | 3 | 3 | 3 |
| 43 | | Kladka | Idler | E3002 | 1 | 1 | 1 | 1 |
| 43a | | Napínací kladka | Tightening idler | E3615 | 1 | 1 | 1 | 1 |
| 43b | | Vložka | Inset | E3611 | 1 | 1 | 1 | 1 |
| 44 | | Opěrka | Bracket | E2985 | 2 | 2 | 2 | 2 |
| 45 | | Podložka 10,5 | Washer 10,5 | 070504 | 1 | 1 | 1 | 1 |
| 46 | | Šroub M8x45 | Bolt M8x45 | 066653 | 1 | 1 | 1 | 1 |
| 47 | | Matice M8 | Nut M8 | 070084 | 1 | 1 | 1 | 1 |
| 48 | | Podložka 8 | Washer 8 | 276721 | 1 | 1 | 1 | 1 |
| 49 | | Podložka | Washer | E0712 | 1 | 1 | 1 | 1 |
| 50 | | Podložka 9 | Washer 9 | 071226 | 5 | 5 | 5 | 5 |
| 51 | | Šroub M8x45 | Bolt M8x45 | 066653 | 1 | 1 | 1 | 1 |
| 52 | | Šroub M8x40 | Bolt M8x40 | 066646 | 1 | 1 | 1 | 1 |
| 53 | | Matice M8 | Nut M8 | 596142 | 2 | 2 | 2 | 2 |
| 61 | | Rameno | Support | E4195 | 1 | 1 | 1 | 1 |
| 62 | | Rozpěrka | Spacer | E2998 | 1 | 1 | 1 | 1 |

| | | | | | | | |
|-----------|-----------------|------------------|---------------|---|---|---|---|
| 64 | Šroub M10x70 | Bolt M10x70 | 688165 | 1 | 1 | 1 | 1 |
| 65 | Podložka 10,5 | Washer 10,5 | 070504 | 2 | 2 | 2 | 2 |
| 66 | Matice M10 | Nut M10 | 596163 | 1 | 1 | 1 | 1 |
| 68 | Šroub M8x45 | Bolt M8x45 | 066653 | 1 | 1 | 1 | 1 |
| 69 | Podložka 9 | Washer 9 | 071226 | 1 | 1 | 1 | 1 |
| 70 | Matice M8 | Nut M8 | 596142 | 1 | 1 | 1 | 1 |
| 71 | Podložka 10,5 | Washer 10,5 | 070504 | 1 | 1 | 1 | 1 |
| 73 | Pružina 4-E3842 | Spring 4-E3842 | 028022 | 1 | 1 | 1 | 1 |
| 74 | Vzpěra | Extension Member | E3848 | 1 | 1 | 1 | 1 |

| 4 | Motor, náhon pojezdu | Engine, Drive system | | 4 | | | |
|------------|---------------------------------|---------------------------------|---------------|------------------|------------------|------------------|------------------|
| 1 | 2 | 2 | 3 | W2928/102 | W2938/102 | W2939/102 | W2979/102 |
| 75 | Matice M10 | Nut M10 | 069456 | 2 | 2 | 2 | 2 |
| 76 | Matice M10 | Nut M10 | 596163 | 1 | 1 | 1 | 1 |
| 77 | Rozpěrka | Spacer | E3851 | - | 1 | 1 | 1 |
| 91 | Tlumič výfuku Van | Exhaust Muffler | E3790 | 1 | - | - | - |
| 91 | Tlumič výfuku Kohler 2V | Exhaust Muffler Kohler 20 | E3792 | - | 1 | 1 | - |
| 91 | Tlumič výfuku Intek 2V | Exhaust Muffler Intek 2V | E3791 | - | - | - | 1 |
| 92 | Držák tlumiče | Exhaust holder | E3765 | 1 | 1 | 1 | 1 |
| 93 | Podložka | Washer | D3624 | 4 | 4 | 4 | 4 |
| 94 | Šroub M6x16 závitovorný | Bolt M6x16 Whoricreator | 041115 | 4 | 4 | 4 | 4 |
| 97 | Kryt tlumiče | Cover Muffler | E3769 | 1 | 1 | 1 | 1 |
| 98 | Šroub M8x20 | Bolt M8x20 | 067291 | 2 | - | - | - |
| 98 | Šroub M10x20 | Bolt M10x20 | 067333 | - | 2 | 2 | 2 |
| 99 | Podložka 10,5 | Washer 10,5 | 070504 | 2 | 2 | 2 | 2 |
| 100 | Podložka 10 | Washer 10 | 071541 | 2 | 2 | 2 | 2 |
| 101 | Matice M10 | Nut M10 | 070091 | 2 | 2 | 2 | 2 |
| 102 | Podložka M10 | Washer M10 | 024931 | 2 | 2 | 2 | 2 |

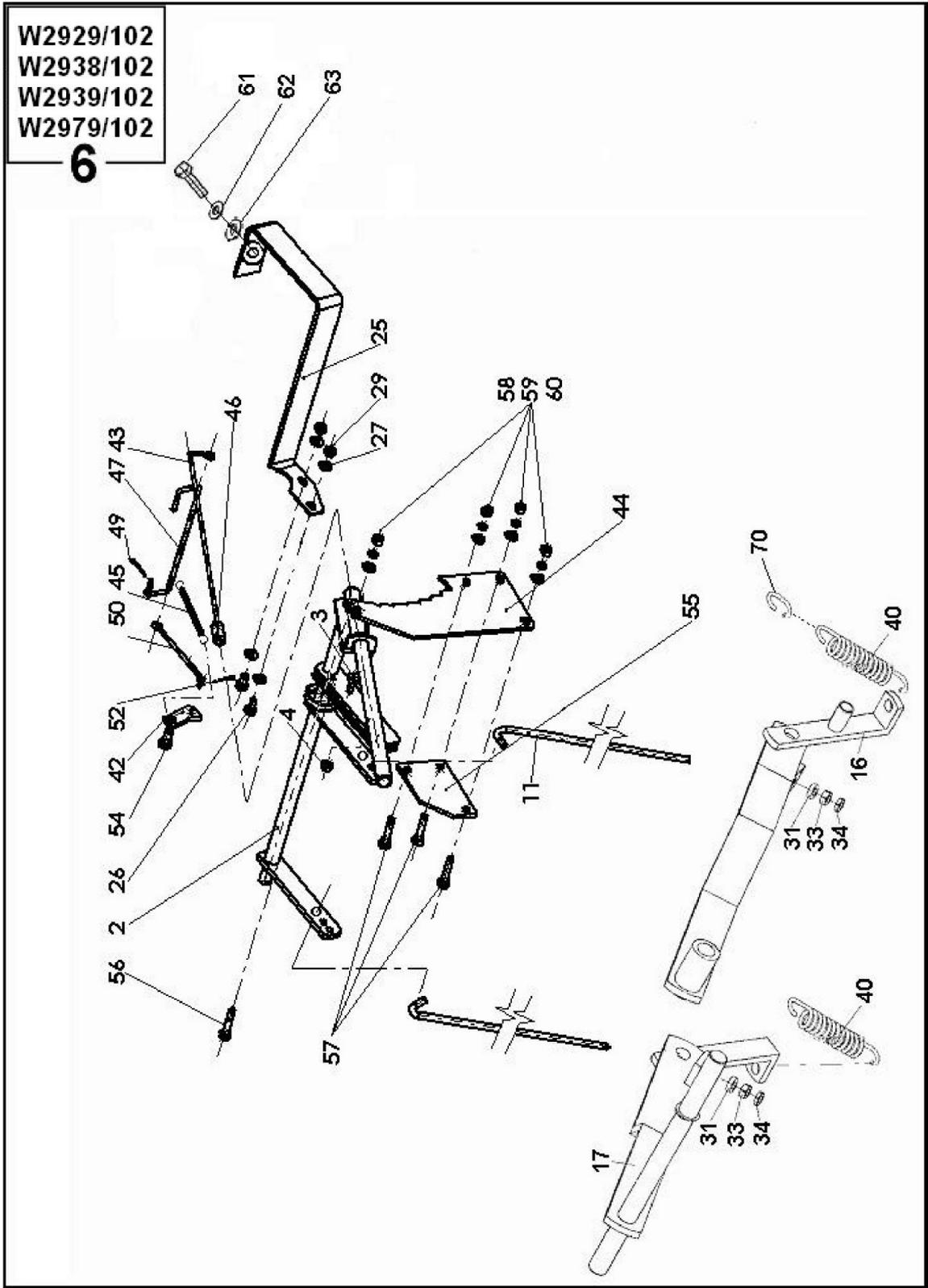
W2928/102
W2938/102
W2939/102
W2979/102

5



| 5 | | Hydrostatic Transaxle - Control | | 4 | | | |
|-----------|----------------------------------|--|---------------|-----------|-----------|-----------|-----------|
| 1 | 2 | 2 | 3 | W2928/102 | W2938/102 | W2939/102 | W2979/102 |
| - | Zadní náprava ovládání | Hydrostatic Transaxle Control | E5692 | 1 | 1 | 1 | 1 |
| 01 | Hydro-gear 333-0650 | Hydro-gear 333-0650 | 040993 | 1 | 1 | 1 | 1 |
| 05 | Páka brzdy | Brake Pedal | E4174 | 1 | 1 | 1 | 1 |
| 06 | Pedál nožní 3-D0494 | Grip 3-D0494 | 008135 | 1 | 1 | 1 | 1 |
| 07 | Páka brzdy | Brake Pedal | E0441 | 1 | 1 | 1 | 1 |
| 08 | Zarážka | Stop | E5696 | 1 | 1 | 1 | 1 |
| 09 | Kolík 6x25 | Pin 6x25 | 628336 | 2 | 2 | 2 | 2 |
| 13 | Táhlo brzdy | Draw Rod Brake engagement | E5712 | 1 | 1 | 1 | 1 |
| 14 | Čep | Pin | E0437 | 1 | 1 | 1 | 1 |
| 15 | Podložka 8,4 | Washer 8,4 | 070812 | 3 | 3 | 3 | 3 |
| 16 | Závlačka 2x14 | Retainer 2x14 | 509954 | 3 | 3 | 3 | 3 |
| 17 | Pouzdro | Bushing | E0451 | 1 | 1 | 1 | 1 |
| 18 | Pojistný kroužek 16 | Retaining ring 16 | 123300 | 1 | 1 | 1 | 1 |
| 20 | Pružina 2, 5x15x40x10,5 zink. | Spring 2, 5x15x40x10,5 zink. | 018880 | 1 | 1 | 1 | 1 |
| 21 | Pružina 1, 25x11, 25x48x13, 5 Zl | Spring 1, 25x11, 25x48x13, 5 Zl | 081474 | 1 | 1 | 1 | 1 |
| 22 | Podložka 8,4 | Washer 8,4 | 070812 | 2 | 2 | 2 | 2 |
| 23 | Matice M8 | Nut M8 | 596142 | 1 | 1 | 1 | 1 |
| 25 | Hák | Hook | E0436 | 1 | 1 | 1 | 1 |
| 26 | Pružina 4-D0154 zink. | Spring 4-D0154 zink. | 008051 | 1 | 1 | 1 | 1 |
| 27 | Šroub M8x30 | Bolt M8x30 | 589782 | 1 | 1 | 1 | 1 |
| 28 | Matice M8 | Nut M8 | 069442 | 1 | 1 | 1 | 1 |
| 29 | Matice M8 | Nut M8 | 596142 | 1 | 1 | 1 | 1 |
| 31 | Kulisa | Park Brake Member | E5721 | 1 | 1 | 1 | 1 |
| 32 | Podložka 6,4 | Washer 6,4 | 070805 | 1 | 1 | 1 | 1 |
| 33 | Závlačka 1,6x12 | Retainer 1,6x12 | 072543 | 1 | 1 | 1 | 1 |
| 34 | Podložka | Washer | E3317 | 1 | 1 | 1 | 1 |
| 35 | Podložka | Washer | E0475 | 1 | 1 | 1 | 1 |
| 36 | Vložka | Insert | E0476 | 1 | 1 | 1 | 1 |
| 37 | Šroub M8x110 | Bolt M8x110 | 048854 | 1 | 1 | 1 | 1 |
| 38 | Podložka 8,4 | Washer 8,4 | 070812 | 1 | 1 | 1 | 1 |
| 39 | Matice M8 | Nut M8 | 070084 | 2 | 2 | 2 | 2 |
| 41 | Pedál pojezdu | Drive Pedal | E3326 | 1 | 1 | 1 | 1 |
| 42 | Držák | Support | E0466 | 1 | 1 | 1 | 1 |
| 44 | Palec | Shoulder Bolt SP | E0478 | 1 | 1 | 1 | 1 |
| 45 | Matice M8 | Nut M8 | 596142 | 1 | 1 | 1 | 1 |
| 46 | Pedál 4-E3328 | Pedal 4-E3328 | 040614 | 1 | 1 | 1 | 1 |
| 47 | Pedál nožní 3-D0494 | Grip 3-D0494 | 008135 | 1 | 1 | 1 | 1 |
| 48 | Šroub M6x20 | Bolt M6x20 | 431736 | 2 | 2 | 2 | 2 |
| 49 | Podložka 6 | Washer 6 | 276700 | 2 | 2 | 2 | 2 |
| 50 | Matice M6 | Nut M6 | 590025 | 2 | 2 | 2 | 2 |
| 55 | Táhlo | Draw Rod | E3310 | 1 | 1 | 1 | 1 |
| 56 | Matice M10 | Nut M10 | 070091 | 1 | 1 | 1 | 1 |

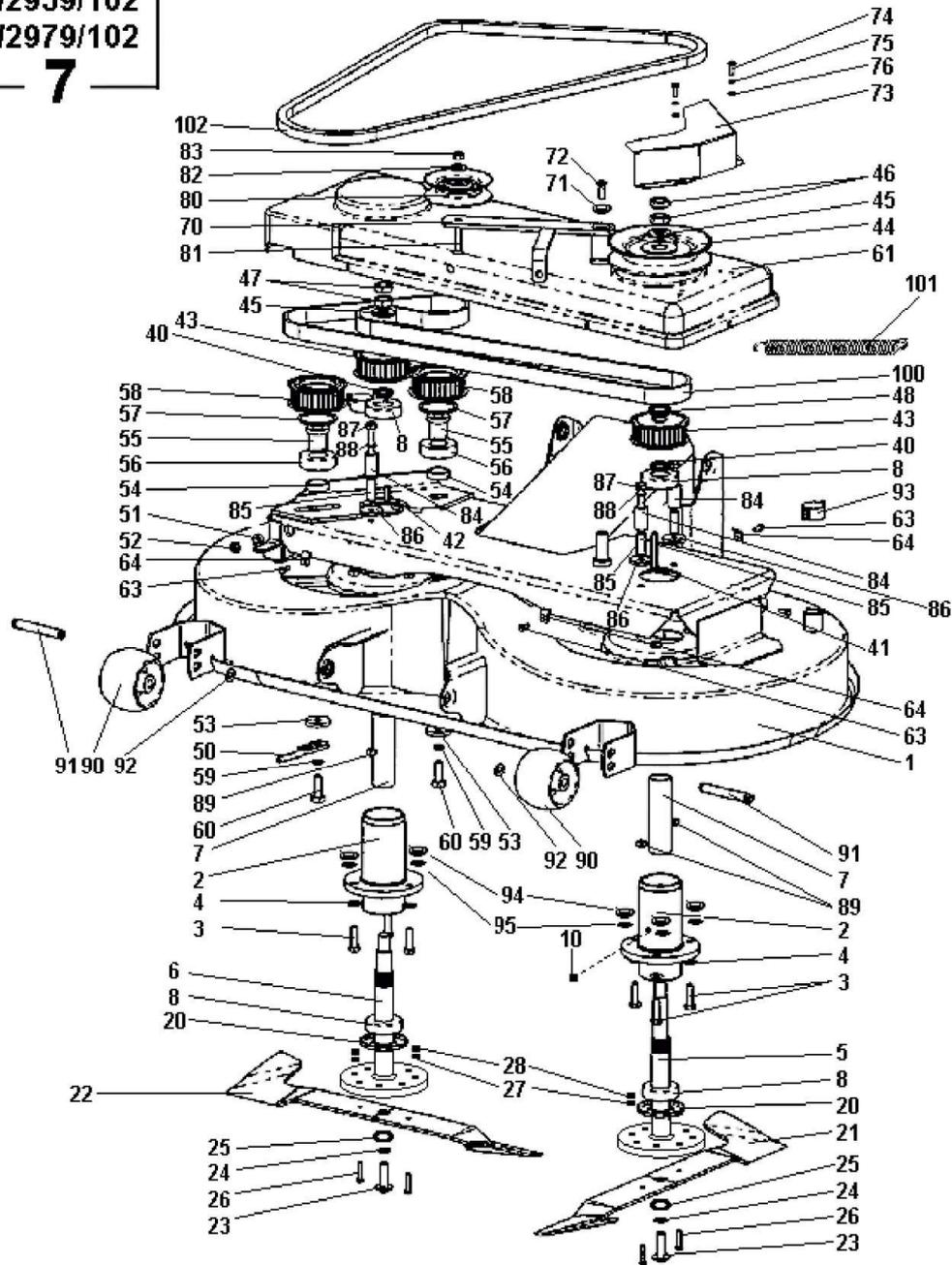
| 5 | | Hydrostatic Transaxle | | 4 | | | |
|----------------------|-------------------------------|--------------------------------|---------------|------------------|------------------|------------------|------------------|
| Zadní náprava | | - ovládání | | - Control | | | |
| 1 | 2 | 2 | 3 | W2928/102 | W2938/102 | W2939/102 | W2979/102 |
| 81 | Páka | Bracket | E3306 | 1 | 1 | 1 | 1 |
| 82 | Patka | Bracket | E3856 | 1 | 1 | 1 | 1 |
| 85 | Šroub M8x25 | Bolt M8x25 | 067305 | 2 | 2 | 2 | 2 |
| 86 | Podložka 8,4 | Washer 8,4 | 070812 | 2 | 2 | 2 | 2 |
| 87 | Matice M8 | Nut M8 | 596142 | 2 | 2 | 2 | 2 |
| 90 | Páka | Lever | E0818 | 1 | 1 | 1 | 1 |
| 91 | Podložka 6,4 | Washer 6,4 | 070805 | 1 | 1 | 1 | 1 |
| 92 | Závlačka 2x14 | Retainer 2x14 | 509954 | 1 | 1 | 1 | 1 |
| 93 | Spojka | Connector | E0471 | 1 | 1 | 1 | 1 |
| 95 | Pružná poj. single 2,5 (=2mm) | Hairpin Clip single 2,5 (=2mm) | 041479 | 2 | 2 | 2 | 2 |
| 99 | Rukojeť 4-5911-3512 | Grip 4-5911-3512 | 614892 | 1 | 1 | 1 | 1 |
| 100 | Tyč ovládání | Control Rod | E0821 | 1 | 1 | 1 | 1 |
| 101 | Západka | Engagment Member | E5700 | 1 | 1 | 1 | 1 |
| 108 | Podložka 10,5 | Washer 10,5 | 070504 | 1 | 1 | 1 | 1 |
| 109 | Závlačka 3,2x18 | Retainer 3,2x18 | 072634 | 1 | 1 | 1 | 1 |
| 110 | Pružina 1,25x11,25x45x21,20 | Spring 1,25x11,25x45x21,20 | 644292 | 1 | 1 | 1 | 1 |
| 111 | Šroub | Bolt | E0831 | 1 | 1 | 1 | 1 |
| 112 | Podložka 8 | Washer 8 | 276721 | 1 | 1 | 1 | 1 |
| 113 | Matice M8 | Nut M8 | 070084 | 1 | 1 | 1 | 1 |
| 116 | Hřídel | Shaft | E3503 | 1 | 1 | 1 | 1 |
| 119 | Pružina pojezdu 4-E0834 | Spring , drive 4-E0834 | 018894 | 1 | 1 | 1 | 1 |
| 121 | Úhlový kloub A13 zink. | Joint, Angle A13 zink. | 580575 | 2 | 2 | 2 | 2 |
| 122 | Táhlo | Draw Rod | E3512 | 1 | 1 | 1 | 1 |
| 123 | Matice M8 | Nut M8 | 070084 | 2 | 2 | 2 | 2 |
| 136 | Táhlo | Draw Rod | E3506 | 1 | 1 | 1 | 1 |
| 137 | Závlačka 4x22 | Retainer 4x22 | 072711 | 1 | 1 | 1 | 1 |
| 138 | Podložka 10,5 | Washer 10,5 | 070504 | 1 | 1 | 1 | 1 |
| 140 | Podložka 8,4 | Washer 8,4 | 070812 | 2 | 2 | 2 | 2 |
| 141 | Matice M8 | Nut M8 | 596142 | 2 | 2 | 2 | 2 |



| 6 | Zvedání sekačky | Deck Lift | 4 | | | | |
|----------|---------------------------------------|--------------------------------------|----------|-----------|-----------|-----------|-----------|
| 1 | 2 | 2 | 3 | W2928/102 | W2938/102 | W2939/102 | W2979/102 |
| - | Zvedání sekačky 102 | Deck Lift 102 | E5574 | 1 | 1 | 1 | 1 |
| 02 | Klika | Cam | E5596 | 1 | 1 | 1 | 1 |
| 03 | Šroub M8x20 | Bolt M8x20 | 067291 | 1 | 1 | 1 | 1 |
| 04 | Matice M8 | Nut M8 | 069442 | 1 | 1 | 1 | 1 |
| 11 | Zvedací táhlo | Lifting Draw Rod | E5565 | 2 | 2 | 2 | 2 |
| 16 | Rameno levé | Support left | E3324 | 1 | 1 | 1 | 1 |
| 17 | Rameno pravé | Support Right | E3322 | 1 | 1 | 1 | 1 |
| 25 | Držák | Support | E4696 | 1 | 1 | 1 | 1 |
| 26 | Šroub M8x25 | Bolt M8x25 | 067284 | 2 | 2 | 2 | 2 |
| 27 | Podložka 8,4 | Washer 8,4 | 070812 | 4 | 4 | 4 | 4 |
| 29 | Matice M8 | Nut M8 | 596142 | 2 | 2 | 2 | 2 |
| 31 | Podložka | Washer | D3586 | 2 | 2 | 2 | 2 |
| 33 | Matice M8 | Nut M8 | 070084 | 2 | 2 | 2 | 2 |
| 34 | Matice M8 | Nut M8 | 069442 | 2 | 2 | 2 | 2 |
| 40 | Pružina 3,15x28,15x330x90A=10 | Spring 3,15x28,15x330x90A=10 | E0520 | 2 | 2 | 2 | 2 |
| 42 | Západka zvedání | Engagment Member „Lift | E6059 | 1 | 1 | 1 | 1 |
| 43 | Dlouhé táhlo | Draw Rod | E6060 | 1 | 1 | 1 | 1 |
| 44 | Rohatka zvedání | Ratchet Body, „Lift | E6058 | 1 | 1 | 1 | 1 |
| 45 | Pružina 1, 25x11, 25x85x49,7 M=4 zink | Spring 1, 25x11, 25x85x49,7 M=4 zink | 81376 | 1 | 1 | 1 | 1 |
| 46 | Koncovka táhla | Draw Rod-Plunger | E6071 | 1 | 1 | 1 | 1 |
| 47 | Přenašeč | Carrier | E6067 | 1 | 1 | 1 | 1 |
| 48 | Podložka 5,3 | Washer 5,3 | 070476 | 1 | 1 | 1 | 1 |
| 49 | Závlačka 1,6x12 | Retainer 1,6x12 | 072543 | 1 | 1 | 1 | 1 |
| 50 | Krátké táhlo | Draw Rod | E6069 | 1 | 1 | 1 | 1 |
| 51 | Podložka 4,3 | Washer 4,3 | 070462 | 1 | 1 | 1 | 1 |
| 52 | Závlačka 1,2x12 | Retainer 1,2x12 | 295060 | 1 | 1 | 1 | 1 |
| 54 | Pojistný čep | Retaining Clip | E6073 | 1 | 1 | 1 | 1 |
| 55 | Výztuha rámu | Brace Frame | E6122 | 1 | 1 | 1 | 1 |
| 56 | Šroub M8x50 | Bolt M8x50 | 066660 | 1 | 1 | 1 | 1 |
| 57 | Šroub M8x55 | Bolt M8x55 | 066674 | 3 | 3 | 3 | 3 |
| 58 | Podložka 8,4 | Washer 8,4 | 070812 | 4 | 4 | 4 | 4 |
| 59 | Podložka 8 | Washer 8 | 276721 | 4 | 4 | 4 | 4 |
| 60 | Matice M8 | Nut M8 | 070084 | 4 | 4 | 4 | 4 |
| 61 | Šroub M6x25 | Bolt M6x25 | 090384 | 1 | 1 | 1 | 1 |
| 62 | Podložka 6,4 | Washer 6,4 | 070805 | 1 | 1 | 1 | 1 |
| 63 | Podložka 6 | Washer 6 | 276700 | 1 | 1 | 1 | 1 |
| 70 | Háček | Hook | D5043 | 2 | 2 | 2 | 2 |

W2928/102
W2938/102
W2939/102
W2979/102

7

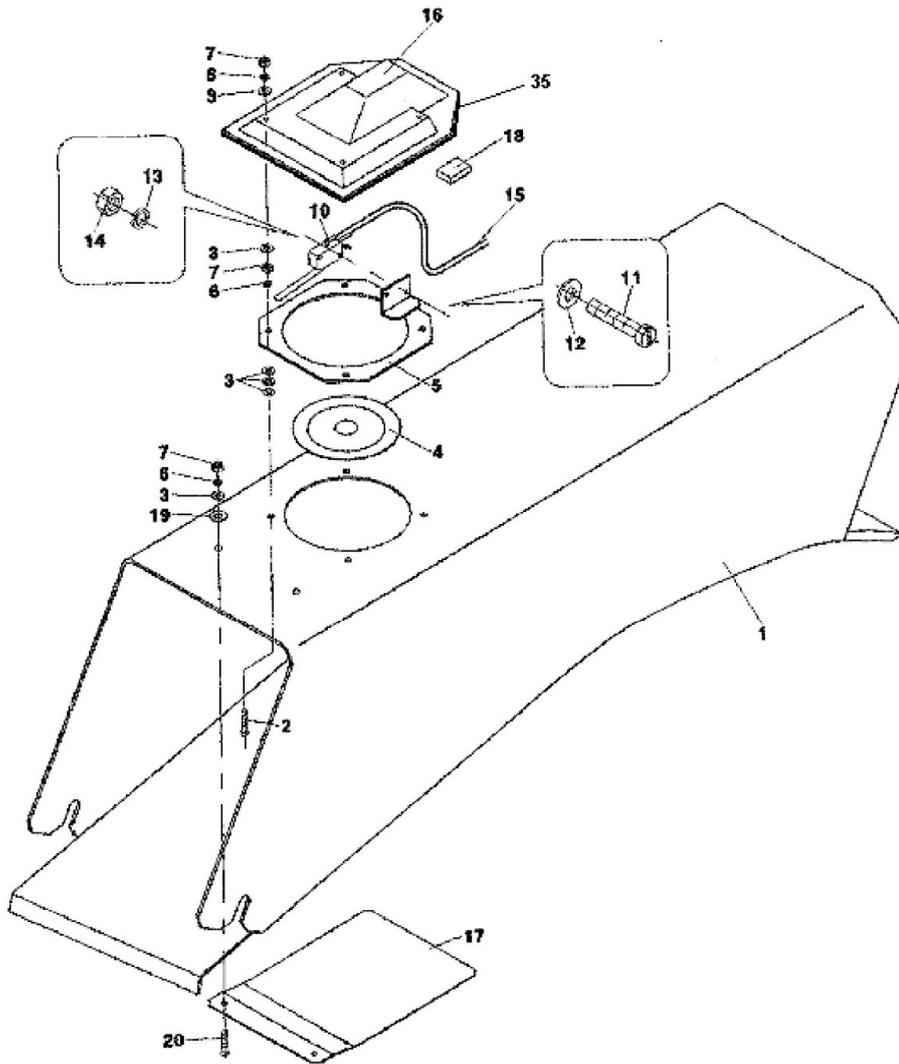


| 7 | Sekačka 102 | Mowing Deck 102 | 4 | | | | |
|------------|-----------------------------|---------------------------|----------|-----------|-----------|-----------|-----------|
| 1 | 2 | 2 | 3 | W2928/102 | W2938/102 | W2939/102 | W2979/102 |
| | Sekačka 102 | Mowing Deck 102 | E3180 | 1 | 1 | 1 | 1 |
| 001 | Kryt nožů | Deck Pan | E3181 | 1 | 1 | 1 | 1 |
| 002 | Náboj | Spindle Housing | E5942 | 2 | 2 | 2 | 2 |
| 003 | Šroub M8x25 | Bolt M8x25 | 067305 | 6 | 6 | 6 | 6 |
| 004 | Podložka M8 styková-medium | Washer M8 special-medium | 041040 | 6 | 6 | 6 | 6 |
| 005 | Hřídel levý | Shaft left | E7052 | 1 | 1 | 1 | 1 |
| 006 | Hřídel pravý | Shaft right | E7050 | 1 | 1 | 1 | 1 |
| 007 | Trubka | Spacer | E5977 | 2 | 2 | 2 | 2 |
| 008 | Ložisko 6205 A 2RS | Bearing 6205 2RS | 089931 | 4 | 4 | 4 | 4 |
| 010 | Mazací hlavice KM 6x1 | Grease Nipple KM 6x1 | 280145 | 2 | 2 | 2 | 2 |
| 020 | Krytka | Cover | E5940 | 2 | 2 | 2 | 2 |
| 021 | Sada nožů | Blade set | Y0715 | 1 | 1 | 1 | 1 |
| 022 | | | | 1 | 1 | 1 | 1 |
| 023 | Šroub M12x35 S=19 | Bolt M12x35 s=19 | 627103 | 2 | 2 | 2 | 2 |
| 024 | Podložka M12 styková-medium | Washer M12 special-medium | 027776 | 2 | 2 | 2 | 2 |
| 025 | Podložka | Washer | E3138 | 2 | 2 | 2 | 2 |
| 026 | Šroub M5x20 | Bolt M5x20 | 037100 | 4 | 4 | 4 | 4 |
| 027 | Podložka M5 (RIPP) | Washer M5 (RIPP) | 507285 | 4 | 4 | 4 | 4 |
| 028 | Matice M5 | Nut M5 | 111545 | 4 | 4 | 4 | 4 |
| 040 | Rozpěrka horní | Spacer | E5976 | 2 | 2 | 2 | 2 |
| 041 | Pero 6x6x51 | Key 6x6x51 | E5190 | 1 | 1 | 1 | 1 |
| 042 | Pero 6x6x21 | Key 6x6x21 | E7204 | 1 | 1 | 1 | 1 |
| 043 | Kladka Z30 | Idler Z30 | D4575 | 2 | 2 | 2 | 2 |
| 044 | Řemenice | Pulley | E7056 | 1 | 1 | 1 | 1 |
| 045 | Podložka M16 styková-medium | Washer M16 special-medium | 041687 | 2 | 2 | 2 | 2 |
| 046 | Matice M16x1,5 | Nut M16x1,5 | 069610 | 2 | 2 | 2 | 2 |
| 047 | Matice M16x1,5 L | Nut M16x1,5 L | 069085 | 2 | 2 | 2 | 2 |
| 048 | Podložka | Washer | E5980 | 1 | 1 | 1 | 1 |
| 050 | Napínák | Tensioner | E3690 | 1 | 1 | 1 | 1 |
| 051 | Podložka | Washer | D3586 | 1 | 1 | 1 | 1 |
| 052 | Matice M8 | Nut M8 | 596142 | 1 | 1 | 1 | 1 |
| 053 | Podložka | Washer | D0392 | 2 | 2 | 2 | 2 |
| 054 | Rozpěrka | Spacer | E3135 | 2 | 2 | 2 | 2 |
| 055 | Čep | Shift | E3136 | 2 | 2 | 2 | 2 |
| 056 | Ložisko 6205 A 2RS | Bearing 6205 A 2RS | 089931 | 2 | 2 | 2 | 2 |
| 057 | Pojistný kroužek 52 | Retaining ring 52 | 078065 | 2 | 2 | 2 | 2 |
| 058 | Kladka vodící Z=30 | Idler Z=30 | E3133 | 2 | 2 | 2 | 2 |
| 059 | Podložka 10 | Washer 10 | 071541 | 2 | 2 | 2 | 2 |
| 060 | Šroub M10x30 | Bolt M10x30 | 067354 | 2 | 2 | 2 | 2 |
| 061 | Kryt | Cover | D4517 | 1 | 1 | 1 | 1 |
| 063 | Šroub M6x16 | Bolt M6x16 | 041115 | 6 | 6 | 6 | 6 |
| 064 | Podložka | Washer | E3965 | 5 | 5 | 5 | 5 |
| 065 | Podložka 6,4 | Washer 6,4 | 070805 | 1 | 1 | 1 | 1 |
| 070 | Rameno kladky | Support Idler | E0673 | 1 | 1 | 1 | 1 |

| 7 | | Mowing Deck 102 | | 4 | | | |
|------------|-------------------------------|--------------------------------|---------------|-----------|-----------|-----------|-----------|
| 1 | 2 | 2 | 3 | W2928/102 | W2938/102 | W2939/102 | W2979/102 |
| 071 | Podložka | Washer | E0680 | 1 | 1 | 1 | 1 |
| 072 | Šroub M8x20 | Bolt M8x20 | 017360 | 1 | 1 | 1 | 1 |
| 073 | Kryt | Cover | E7057 | 1 | 1 | 1 | 1 |
| 074 | Šroub M5x16 | Bolt M5x16 | 580792 | 2 | 2 | 2 | 2 |
| 075 | Podložka 5,3 | Washer 5,3 | 070476 | 2 | 2 | 2 | 2 |
| 076 | Podložka 5 | Washer 5 | 071513 | 2 | 2 | 2 | 2 |
| 080 | Napínací kladka | Tension Idler | E3594 | 1 | 1 | 1 | 1 |
| 081 | Šroub M8x35 | Bolt M8x35 | 394360 | 1 | 1 | 1 | 1 |
| 082 | Podložka 9 | Washer 9 | 071226 | 1 | 1 | 1 | 1 |
| 083 | Matice M8 | Nut M8 | 596142 | 1 | 1 | 1 | 1 |
| 084 | Pouzdro 4-D0050 | Bushing 4-D0050 | 011600 | 3 | 3 | 3 | 3 |
| 085 | Pouzdro | Bushing | D0049 | 3 | 3 | 3 | 3 |
| 086 | Podložka | Washer | D0151 | 3 | 3 | 3 | 3 |
| 087 | Šroub M8x50 | Bolt M8x50 | 066660 | 3 | 3 | 3 | 3 |
| 088 | Podložka 8,4 | Washer 8,4 | 070812 | 3 | 3 | 3 | 3 |
| 089 | Matice M8 | Nut M8 | 596142 | 5 | 5 | 5 | 5 |
| 090 | Opěrné kolečko 4-E5160 | Caster 4-E5160 | 041752 | 4 | 4 | 4 | 4 |
| 091 | Čep | Pin | D0048 | 4 | 4 | 4 | 4 |
| 092 | Kroužek 9 | Ring 9 | 643325 | 4 | 4 | 4 | 4 |
| 093 | Matice převlečená DN13 Z=3/4" | Hose Adapter Cover DN13 Z=3/4" | 021064 | 2 | 2 | 2 | 2 |
| 094 | Matice M8 | Nut M8 | 596142 | 6 | 6 | 6 | 6 |
| 095 | Podložka 8,4 | Washer 8,4 | 070812 | 6 | 6 | 6 | 6 |
| 100 | Řemen ozub. TP1760-8M-20-PGGT | Belt Timing. TP1760-8M-20-PGGT | 040768 | 1 | 1 | 1 | 1 |
| 101 | Pružina | Spring | E2788 | 1 | 1 | 1 | 1 |
| 102 | Řemen B55 17x1450 | Belt B55 17x1450 | 012434 | 1 | 1 | 1 | 1 |

W2928/102
W2938/102
W2939/102
W2979/102

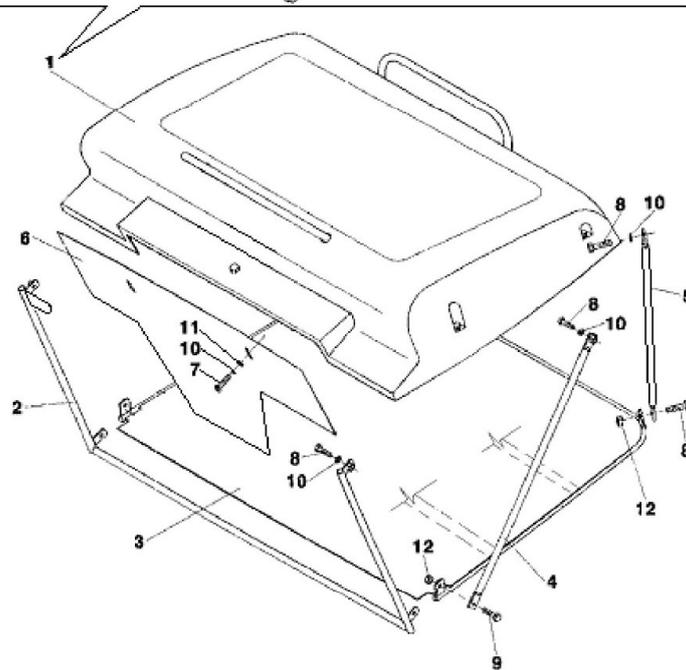
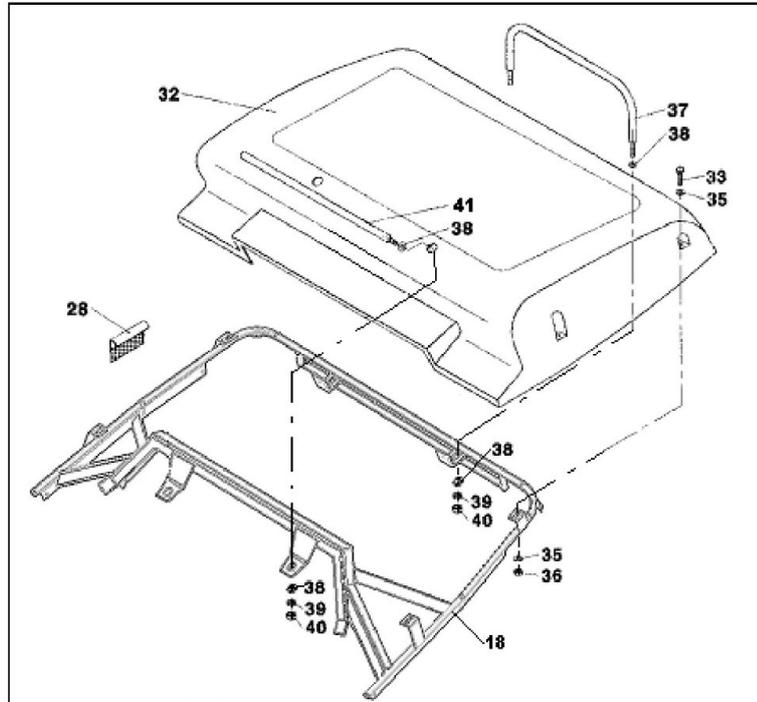
8



| 8 | Tunel | | 4 | | | | |
|----|---------------------------|---------------------------|--------|----|-----------|-----------|-----------|
| | 1 | 2 | 2 | 3 | W2928/102 | W2938/102 | W2939/102 |
| - | Tunel | Tunel | E5385 | 1 | 1 | 1 | 1 |
| 01 | Tunel | Tunel | E5386 | 1 | 1 | 1 | 1 |
| 02 | Šroub M4x20 | Bolt M4x20 | 277016 | 4 | 4 | 4 | 4 |
| 03 | Podložka 4,3 | Washer 4,3 | 070462 | 22 | 22 | 22 | 22 |
| 04 | Membrána 4-E0098 | Membrane 4-E0098 | 017822 | 1 | 1 | 1 | 1 |
| 05 | Příruba | Adapter | E0100 | 1 | 1 | 1 | 1 |
| 06 | Podložka 4 | Washer 4 | 279020 | 10 | 10 | 10 | 10 |
| 07 | Matice M4 | Nut M4 | 069141 | 10 | 10 | 10 | 10 |
| 10 | Mikrospínač | Microswitch | E0103 | 1 | 1 | 1 | 1 |
| 11 | Šroub M3x16 | Bolt M3x16 | 063962 | 2 | 2 | 2 | 2 |
| 12 | Podložka 3,2 | Washer 3,2 | 310440 | 4 | 4 | 4 | 4 |
| 13 | Podložka 3 | Washer 3 | 288063 | 2 | 2 | 2 | 2 |
| 14 | Matice M3 | Nut M3 | 069134 | 2 | 2 | 2 | 2 |
| 15 | Svazek spínače 3WN 195 37 | Switch Harness 3WN 195 37 | 027944 | 1 | 1 | 1 | 1 |
| 16 | Kryt čidla 3-E0105 | Cover Sensor 3-E0105 | 017864 | 1 | 1 | 1 | 1 |
| 17 | Clona | Baffle | E0106 | 1 | 1 | 1 | 1 |
| 18 | Podložka L=15 | Washer L=15 | Y0439 | 1 | 1 | 1 | 1 |
| 19 | Podložka 6,4 | Washer 6,4 | 070805 | 2 | 2 | 2 | 2 |
| 20 | Šroub M4x10 | Bolt M4x10 | 646562 | 2 | 2 | 2 | 2 |
| 35 | Těsnící pás L=650 | Sealing Band L=650 | Y0635 | 1 | 1 | 1 | 1 |

W2928/102
W2938/102
W2939/102
W2979/102

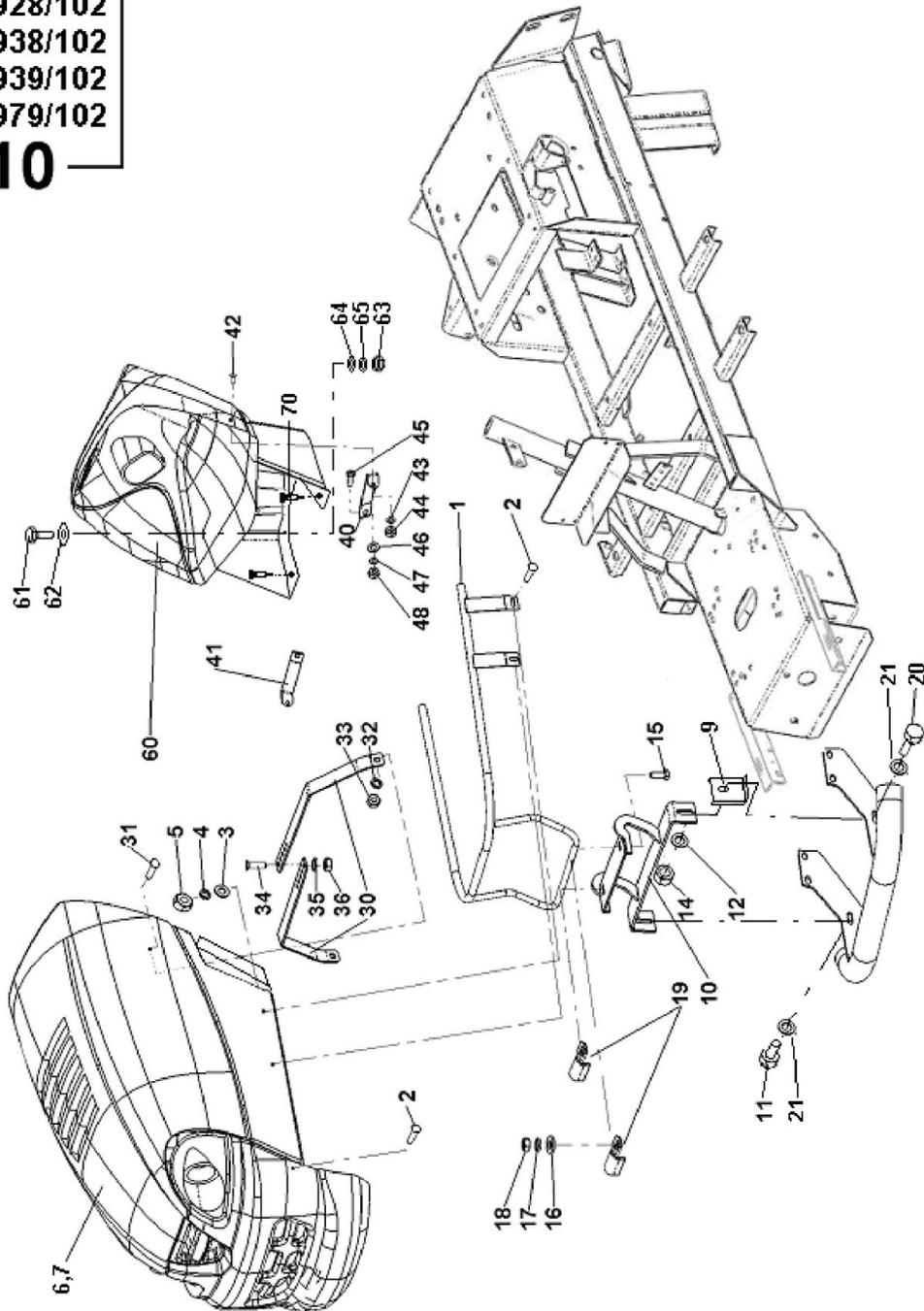
9



| 9 | Zásobník rozložený | Collector | | 4 | | | |
|----|-----------------------------|-------------------------------|--------|-----------|-----------|-----------|-----------|
| | | 2 | 3 | W2928/102 | W2938/102 | W2939/102 | W2979/102 |
| - | Zásobník rozložený | Collector | Y0780 | 1 | 1 | 1 | 1 |
| 01 | Víko zásobníku | Cover Collector | E7244 | 1 | 1 | 1 | 1 |
| 02 | Přední rám | Front Frame | E5645 | 1 | 1 | 1 | 1 |
| 03 | Rám dna | Lower Frame | E3385 | 1 | 1 | 1 | 1 |
| 04 | Vzpěra I | Extension Member I | E3391 | 2 | 2 | 2 | 2 |
| 05 | Vzpěra II | Extension Member II | E3393 | 2 | 2 | 2 | 2 |
| 06 | Clona | Baffle | E5642 | 1 | 1 | 1 | 1 |
| 07 | Šroub M6x10 | Bolt M6x10 | 062813 | 2 | 2 | 2 | 2 |
| 08 | Šroub M6x16 | Bolt M6x16 | 067242 | 6 | 6 | 6 | 6 |
| 09 | Šroub M6x20 | Bolt M6x20 | 431736 | 4 | 4 | 4 | 4 |
| 10 | Podložka 6 | Washer 6 | 276700 | 8 | 8 | 8 | 8 |
| 11 | Podložka 6,4 | Washer 6,4 | 070805 | 2 | 2 | 2 | 2 |
| 12 | Matice M6 | Nut M6 | 596275 | 4 | 4 | 4 | 4 |
| 18 | Homí rám | Top Frame | E7246 | 1 | 1 | 1 | 1 |
| 28 | Potah zásobníku El. 3-E5644 | Netting Collector El. 3-E5644 | 253002 | 1 | 1 | 1 | 1 |
| 32 | Kryt zásobníku | Cover Collector | E7264 | 1 | 1 | 1 | 1 |
| 33 | Šroub M5x16 | Bolt M5x16 | 580792 | 5 | 5 | 5 | 5 |
| 34 | Podložka 5,3 | Washer 5,3 | 070476 | 1 | 1 | 1 | 1 |
| 35 | Podložka 5,5 | Washer 5,5 | 071205 | 9 | 9 | 9 | 9 |
| 36 | Matice M5 | Nut M5 | 111545 | 5 | 5 | 5 | 5 |
| 37 | Oblouk | Handle | E3436 | 1 | 1 | 1 | 1 |
| 38 | Podložka 10,5 | Washer 10,5 | 070504 | 8 | 8 | 8 | 8 |
| 39 | Podložka 10 | Washer 10 | 071541 | 4 | 4 | 4 | 4 |
| 40 | Matice M10 | Nut M10 | 070091 | 4 | 4 | 4 | 4 |
| 41 | Oblouk | Handle | E6136 | 1 | 1 | 1 | 1 |

W2928/102
W2938/102
W2939/102
W2979/102

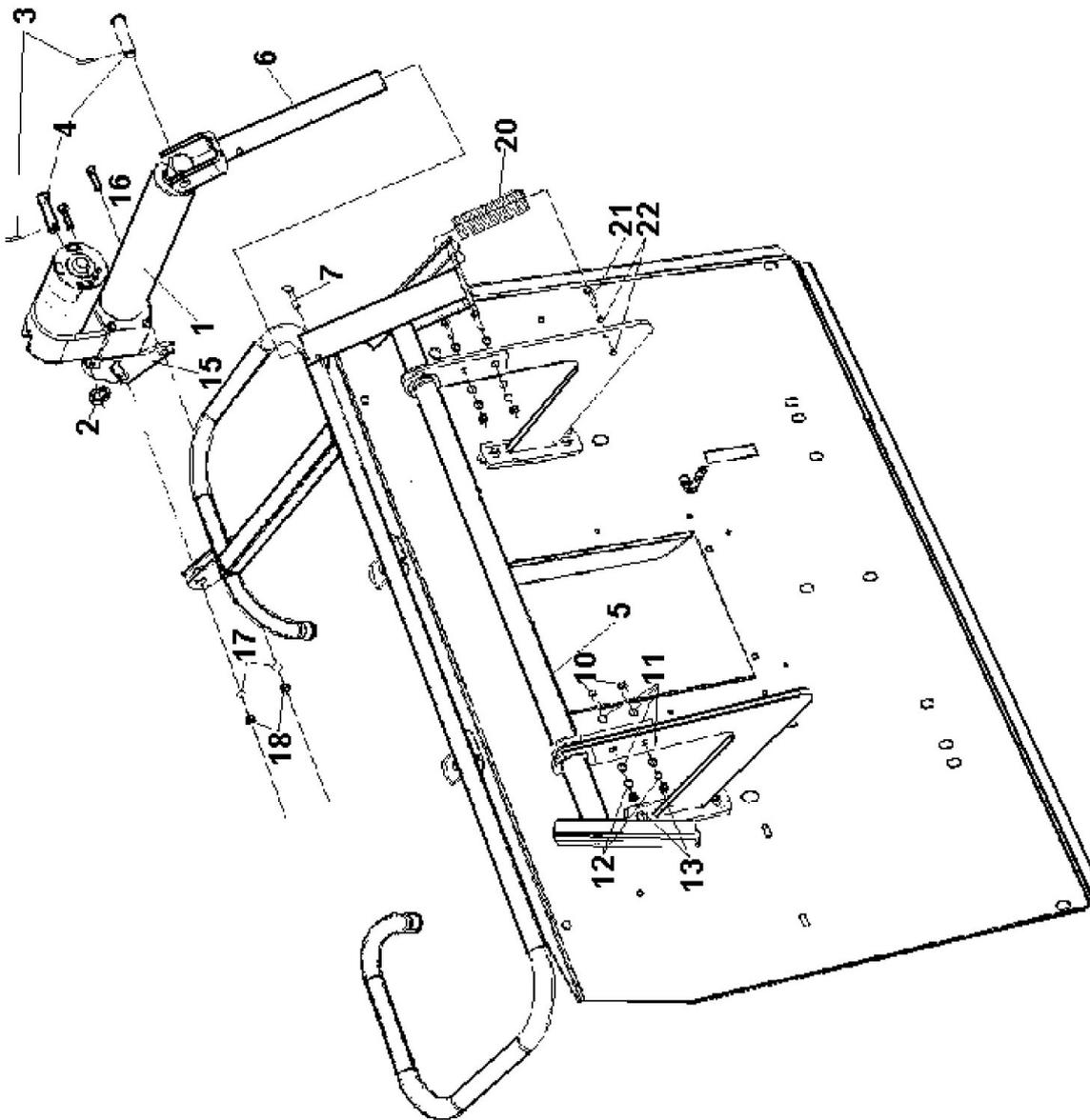
10



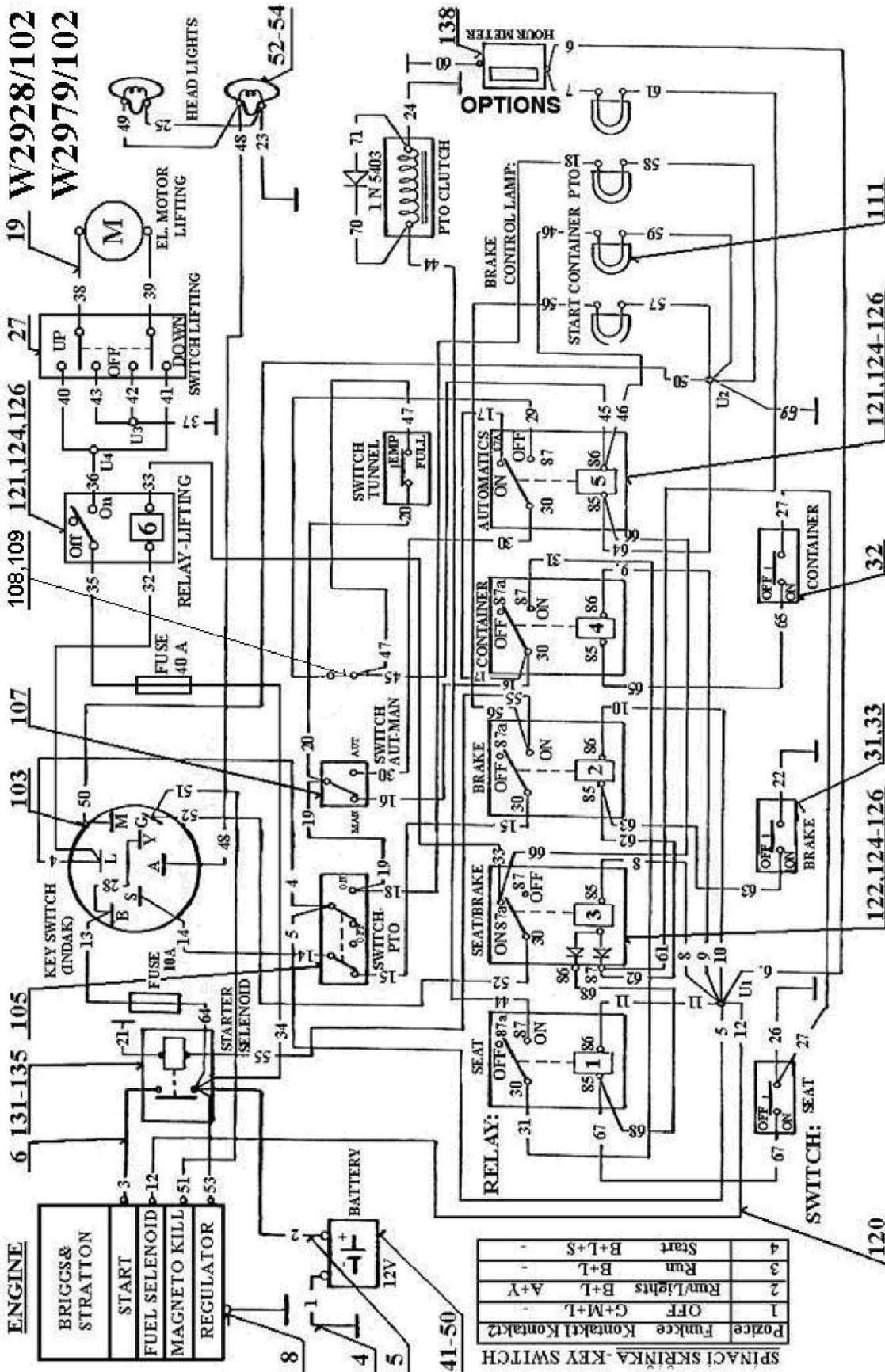
| 10 | Kapota s přísluř. | Hood | 4 | | | | |
|----|---------------------------------|-------------------------|--------|---|---|---|-----------|
| | | | | 1 | 2 | 3 | W2928/102 |
| - | Kapota s přísluřenstvím 110 B20 | Hood 110 B20 | E4577 | 1 | 1 | 1 | - |
| - | Kapota s přísluřenstvím H20 | Hood H20 | E4578 | - | - | - | 1 |
| 01 | Rám | Frame | E4368 | 1 | 1 | 1 | 1 |
| 02 | Šroub M6x16 | Bolt M6x16 | 509933 | 6 | 6 | 6 | 6 |
| 03 | Podložka 6,6 | Washer 6,6 | 071212 | 6 | 6 | 6 | 6 |
| 04 | Podložka 6 | Washer 6 | 276700 | 6 | 6 | 6 | 6 |
| 05 | Matice M6 | Nut M6 | 590025 | 6 | 6 | 6 | 6 |
| 06 | Kapota s přísluř. | Hood | E4691 | 1 | 1 | 1 | 1 |
| 07 | Kužel 110 B20 | Plenum 110 B20 | E5531 | 1 | 1 | 1 | - |
| 07 | Kužel 110 H20 | Plenum 110 H20 | E5527 | - | - | - | 1 |
| 09 | Zarážka | Stop | E4295 | 1 | 1 | 1 | 1 |
| 10 | Základna | Pivot Assembly | E4392 | 1 | 1 | 1 | 1 |
| 11 | Šroub M8x20 | Bolt M8x20 | 067291 | 1 | 1 | 1 | 1 |
| 12 | Podložka M8 (8,2x18-2,35) | Washer M8 (8,2x18-2,35) | 041040 | 2 | 2 | 2 | 2 |
| 14 | Matice M8 | Nut M8 | 070084 | 2 | 2 | 2 | 2 |
| 15 | Šroub M6x20 | Bolt M6x20 | 077042 | 2 | 2 | 2 | 2 |
| 16 | Podložka 6,6 | Washer 6,6 | 071212 | 4 | 4 | 4 | 4 |
| 17 | Podložka 6 | Washer 6 | 276700 | 2 | 2 | 2 | 2 |
| 18 | Matice M6 | Nut M6 | 590025 | 2 | 2 | 2 | 2 |
| 19 | Přichytka | Fastener | E4377 | 2 | 2 | 2 | 2 |
| 20 | Šroub M8x25 | Bolt M8x25 | 067305 | 1 | 1 | 1 | 1 |
| 21 | Podložka M10 | Washer M10 | 024931 | 2 | 2 | 2 | 2 |
| 30 | Výztuha | Brace | E4380 | 2 | 2 | 2 | 2 |
| 31 | Šroub M6x16 | Bolt M6x16 | 509933 | 2 | 2 | 2 | 2 |
| 32 | Podložka 6 | Washer 6 | 276700 | 2 | 2 | 2 | 2 |
| 33 | Matice M6 | Nut M6 | 590025 | 2 | 2 | 2 | 2 |
| 34 | Šroub M6x16 | Bolt M6x16 | 067242 | 2 | 2 | 2 | 2 |
| 35 | Podložka 6 | Washer 6 | 276700 | 2 | 2 | 2 | 2 |
| 36 | Matice M6 | Nut M6 | 590025 | 2 | 2 | 2 | 2 |
| 40 | Držák levý | Support left | E4381 | 1 | 1 | 1 | 1 |
| 41 | Držák pravý | Support right | E4382 | 1 | 1 | 1 | 1 |
| 42 | Šroub M5x16 | Bolt M5x16 | 065063 | 2 | 2 | 2 | 2 |
| 43 | Podložka 5 | Washer 5 | 071513 | 2 | 2 | 2 | 2 |
| 44 | Matice M5 | Nut M5 | 069155 | 2 | 2 | 2 | 2 |
| 45 | Šroub M6x16 | Bolt M6x16 | 067242 | 2 | 2 | 2 | 2 |
| 46 | Podložka 6,4 | Washer 6,4 | 070805 | 2 | 2 | 2 | 2 |
| 47 | Podložka 6 | Washer 6 | 276700 | 2 | 2 | 2 | 2 |
| 48 | Matice M6 | Nut M6 | 590025 | 2 | 2 | 2 | 2 |
| 60 | Panel kompl. plast. E4576 | Panel plastic E4576 | 030108 | 1 | 1 | 1 | 1 |
| 61 | Šroub M6x16 | Bolt M6x16 | 067242 | 2 | 2 | 2 | 2 |
| 62 | Podložka 9 | Washer 9 | 071226 | 2 | 2 | 2 | 2 |
| 63 | Matice M6 | Nut M6 | 590025 | 2 | 2 | 2 | 2 |
| 64 | Podložka 6,4 | Washer 6,4 | 070805 | 2 | 2 | 2 | 2 |
| 65 | Podložka 6 | Washer 6 | 276700 | 2 | 2 | 2 | 2 |
| 70 | Šroub 4,2x13-K (TEKX) | Bolt 4,2x13-K (TEKX) | 232050 | 2 | 2 | 2 | 2 |

W2928/102
W2938/102
W2939/102
W2979/102

11



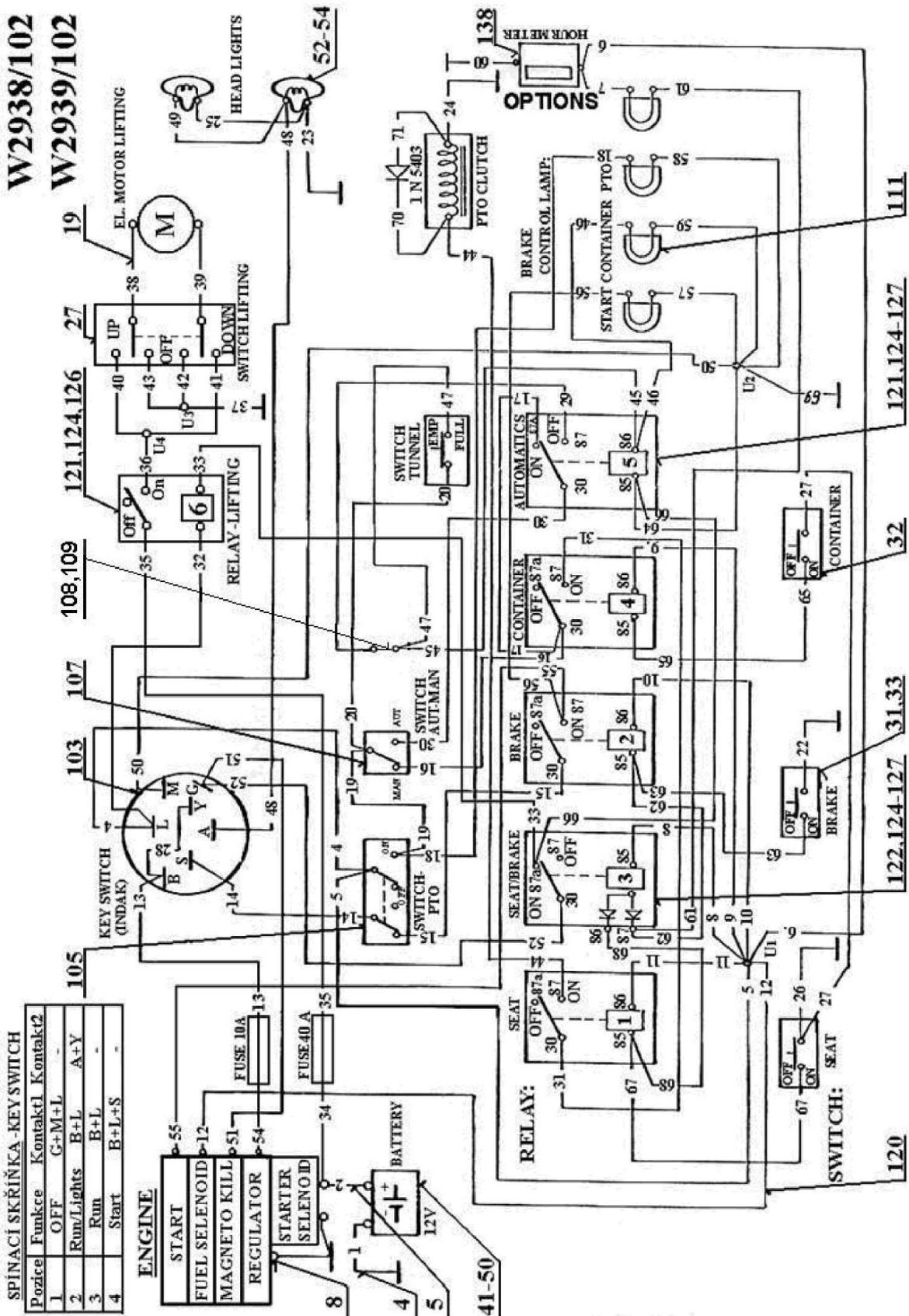
| 11 | Zvedání zásobníku | Lift Collector | | 4 | | | |
|------------|--------------------------------|-----------------------|---------------|-----------|-----------|-----------|-----------|
| 1 | 2 CZ | 2 USA | 3 | W2928/102 | W2938/102 | W2939/102 | W2979/102 |
| - | Zvedání zásobníku | Lift, Collector | E7257 | 1 | 1 | 1 | 1 |
| 001 | Linear Actuator D12-10A5-08M0N | Actuator | 026151 | 1 | 1 | 1 | 1 |
| 002 | Podložka 13 | Washer 13 | 070511 | 1 | 1 | 1 | 1 |
| 003 | Závlačka 3,2x20 | Retainer 3,2x20 | 072641 | 2 | 2 | 2 | 2 |
| 004 | Čep | Pin | E7263 | 2 | 2 | 2 | 2 |
| 005 | Závěs zásobníku | Tube | E7258 | 1 | 1 | 1 | 1 |
| 006 | Vidlice | Fork | E7259 | 1 | 1 | 1 | 1 |
| 007 | Pojistka 5 4-02640 zink | Fuze | 081684 | 1 | 1 | 1 | 1 |
| 008 | Ohebná hadice L=140 | Flex hose L=140 | Y0786 | 1 | 1 | 1 | 1 |
| 010 | Šroub M8x30 | Bolt M8x30 | 067312 | 4 | 4 | 4 | 4 |
| 011 | Podložka | Washer | D0078 | 8 | 8 | 8 | 8 |
| 012 | Podložka 8 | Washer 8 | 276721 | 4 | 4 | 4 | 4 |
| 013 | Maticе M8 | Nut M8 | 070084 | 4 | 4 | 4 | 4 |
| 015 | Držák | Support | E7234 | 1 | 1 | 1 | 1 |
| 016 | Šroub M10x30 | Bolt M10x30 | 067354 | 2 | 2 | 2 | 2 |
| 017 | Podložka 10,5 | Washer 10,5 | 070504 | 2 | 2 | 2 | 2 |
| 018 | Maticе M10 | Nut M10 | 596163 | 2 | 2 | 2 | 2 |
| 020 | Pružina 2x16x106x33,5 | Spring | 015286 | 1 | 1 | 1 | 1 |
| 021 | Šroub M6x25 | Bolt M6x25 | 090384 | 1 | 1 | 1 | 1 |
| 022 | Maticе M6 | Nut M6 | 590025 | 2 | 2 | 2 | 2 |



SPINACI SKRIŇKA - KEY SWITCH

| | | |
|---|------------|--------------------------|
| 4 | Start | B+L+S |
| 3 | Run | B+L |
| 2 | Run/Lights | B+L A+Y |
| 1 | OFF | G+M+L |
| | Pozice | Funkce Kontaktl Kontakt2 |

W2938/102
W2939/102



| 12 | Elektrovýzbroj | Electrical system | 4 | | | | |
|------------|-------------------------------|----------------------------------|---------------|-----------|-----------|-----------|-----------|
| 1 | 2 | 2 | 3 | W2928/102 | W2938/102 | W2939/102 | W2979/102 |
| - | Elektrovýzbroj W2928/102 | Electrical system W2928/102 | E3747 | 1 | - | - | - |
| - | Elektrovýzbroj KOHLER | Electrical system KOHLER | E3749 | - | 1 | 1 | - |
| - | Elektrovýzbroj Intek 2V | Electrical systém Intek 2V | E3780 | - | - | - | 1 |
| 04 | Propoj. vodič 3WN 195 35 | Connector 3WN 195 35 | 027874 | 1 | 1 | 1 | 1 |
| 05 | Propoj. vodič 3 WN 195 36 | Connector 3 WN 195 36 | 027881 | 1 | - | - | 1 |
| 05 | Kabel baterie 3WK 210 06 | Cable Battery 3WK 210 06 | 041811 | - | 1 | 1 | - |
| 06 | Kabel startéru 3WK 210 07 | Cable Starter 3WK 210 07 | 041812 | 1 | - | - | 1 |
| 08 | Podložka 8,4 | Washer 8,4 | 071695 | 1 | 1 | 1 | 1 |
| 19 | Svazek vyklápění 3WN 210 03 | Harness Collector Act 3WN 210 03 | 041776 | 1 | - | - | 1 |
| 19 | Svazek vyklápění KOHLER | Harness Collector Act KOHLER | Y0682 | - | 1 | 1 | - |
| 20 | Smršťovací hadice L=40 | Shrinking hose L=40 | Y0784 | 2 | 2 | 2 | 2 |
| 26 | Průchodka 11x2 | Grommet 11x2 | 052446 | 1 | 1 | 1 | 1 |
| 27 | Spínač 8006K52N1V2 | Switch 8006K52N1V2 | 023096 | 1 | 1 | 1 | 1 |
| 31 | Spínač zpátečky 443854241802 | Switch reverse 443854241802 | 656670 | 1 | 1 | 1 | 1 |
| 32 | Spínač 3Q443A | Switch 3Q443A | 265662 | 1 | 1 | 1 | 1 |
| 33 | Matice | Nut | D0642 | 1 | 1 | 1 | 1 |
| 37 | Pásek stahovací 100x2,5 | Strap 100x2,5 | 017941 | 8 | 8 | 8 | 8 |
| 38 | Pásek stahovací 200x3,6 | Strap 200x3,6 | 007644 | 4 | 4 | 4 | 4 |
| 39 | Pásek s přichytkou PHV-150 | Strap PHV-150 | 017962 | 2 | 2 | 2 | 2 |
| 41 | Akumulátor E-Tech 32Ah | Battery E-Tech 32Ah | 235192 | 1 | 1 | 1 | 1 |
| 42 | Šroub M6x20 | Bolt M6x20 | 308992 | 2 | 2 | 2 | 2 |
| 43 | Podložka 6,4 | Washer 6,4 | 070805 | 2 | 2 | 2 | 2 |
| 44 | Podložka 6 | Washer 6 | 276700 | 2 | 2 | 2 | 2 |
| 45 | Matice M6 | Nut M6 | 590025 | 2 | 2 | 2 | 2 |
| 47 | Přichytka | Fastener | D4618 | 1 | 1 | 1 | 1 |
| 48 | Táhlo | Draw Rod | E3024 | 2 | 2 | 2 | 2 |
| 49 | Podložka 6,4 | Washer 6,4 | 070805 | 2 | 2 | 2 | 2 |
| 50 | Matice M6 | Nut M6 | 590025 | 2 | 2 | 2 | 2 |
| 52 | Adaptér | Adapter | E3754 | 2 | 2 | 2 | 2 |
| 53 | Halogenová žárovka 12V/10W | Halogen Bulb 12V/10W | 644450 | 2 | 2 | 2 | 2 |
| 54 | Kroužek 45x2 | Ring 45x2 | 050351 | 2 | 2 | 2 | 2 |
| 55 | Pásek s přichytkou PHV-150 | Strap PHV-150 | 017962 | 1 | 1 | 1 | 1 |
| 103 | Spínací skříňka 6900-47 | Ignition Switch 6900-47 | 041764 | 1 | 1 | 1 | 1 |
| 104 | Klíč vinyl 688-STD | Key, Vinyl 688-STD | 566595 | 1 | 1 | 1 | 1 |
| 105 | Spínač 8006 K46N1T2 | Switch 8006 K46N1T2 | 041765 | 1 | 1 | 1 | 1 |
| 107 | Spínač AUT-MAN 8006K26N1V2 | Switch AUT-MAN 8006K26N1V2 | 041133 | 1 | 1 | 1 | 1 |
| 111 | Žárovka č.194 | Bulb 194 | 041437 | 4 | 4 | 4 | 4 |
| 119 | Šroub 4x10 | Bolt 4x10 | 426211 | - | 2 | 2 | - |
| 120 | Svazek vodičů W2928 | Harness Wire W2928 | E5508 | 1 | - | - | - |
| 120 | Svazek vodičů W2939 Kohler | Harness Wire W2939 Kohler | E5611 | - | 1 | 1 | - |
| 120 | Svazek vodičů W2979 | Harness Wire W2979 | E3775 | - | - | - | 1 |
| 121 | Relé přepín. 12V 443811445141 | Relay switch 12V 44381 1445141 | 012182 | 5 | 5 | 5 | 5 |
| 122 | Relé spec. 12V 443811445145 | Relay spec. 12V 44381 1445145 | 022332 | 1 | 1 | 1 | 1 |

| 12 | Elektrovýzbroj | Electrical system | 4 | | | | |
|------------|-----------------------|--------------------------|---------------|-----------|-----------|-----------|-----------|
| 1 | 2 | 2 | 3 | W2928/102 | W2938/102 | W2939/102 | W2979/102 |
| 124 | Podložka 5,3 | Washer 5,3 | 071674 | 3 | 3 | 3 | 3 |
| 125 | Podložka 5,5 | Washer 5,5 | 071205 | 6 | - | - | 6 |
| 125 | Šroub M5x16 | Bolt M5x16 | 064082 | - | 3 | 3 | 3 |
| 126 | Šroub M5x16 | Bolt M5x16 | 064082 | 3 | - | - | 3 |
| 126 | Maticice M5 | Nut M5 | 069155 | - | 3 | 3 | - |
| 127 | Podložka 5,5 | Washer 5,5 | 071205 | - | 6 | 6 | - |
| 131 | Solenoid 424285 | Solenoid 424285 | 007630 | 1 | - | - | 1 |
| 132 | Šroub M6x12 | Bolt M6x12 | 475700 | 2 | - | - | 2 |
| 133 | Podložka 6,4 | Washer 6,4 | 070805 | 2 | - | - | 2 |
| 134 | Podložka 6,4 | Washer 6,4 | 071681 | 2 | - | - | 2 |
| 135 | Maticice M6 | Nut M6 | 590025 | 2 | - | - | 2 |
| 136 | Průchodka 27x2 | Grommet 27x2 | 484771 | 1 | - | - | 1 |
| 141 | Průchodka 27x2 | Grommet 27x2 | 484771 | - | 1 | 1 | - |