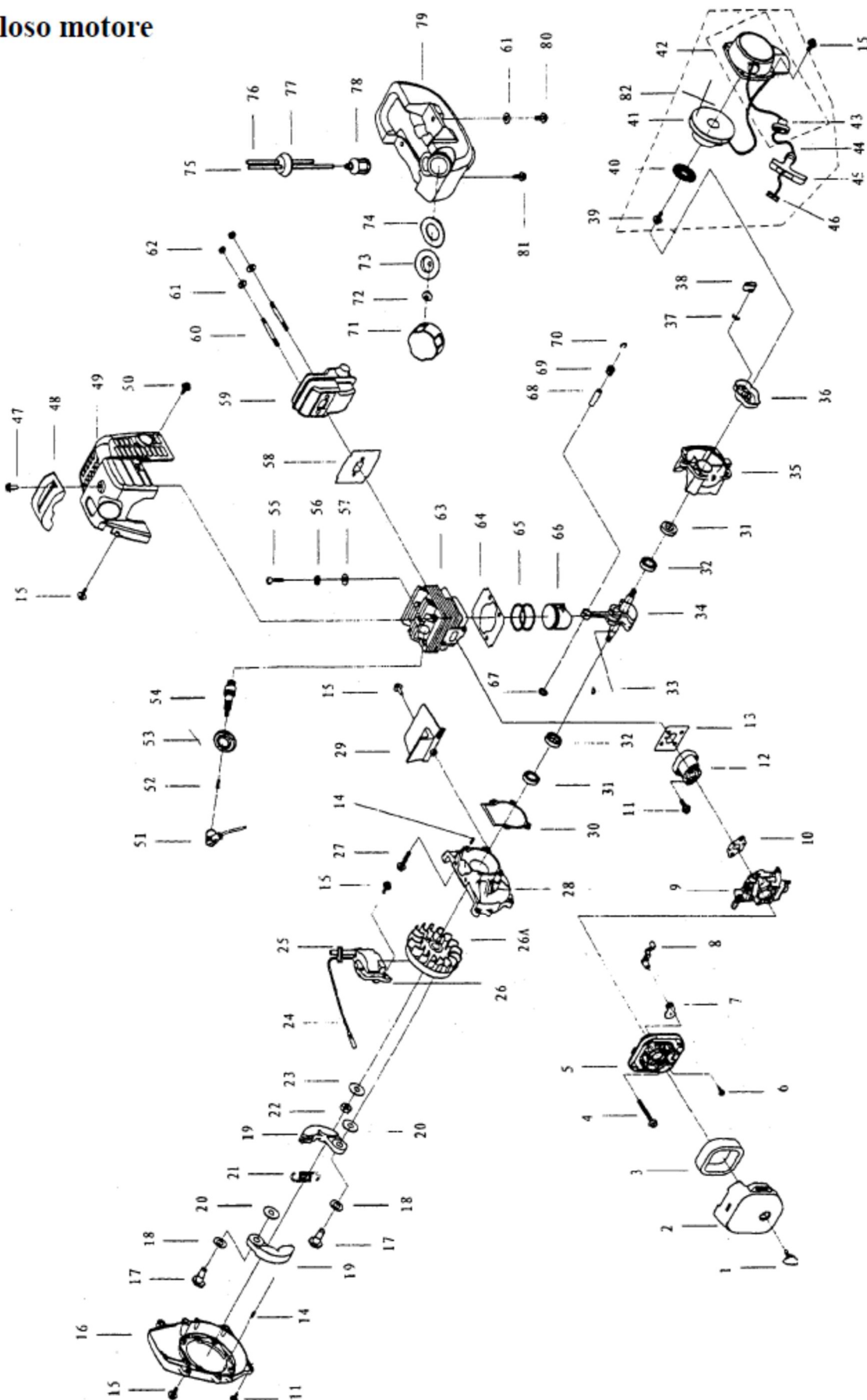
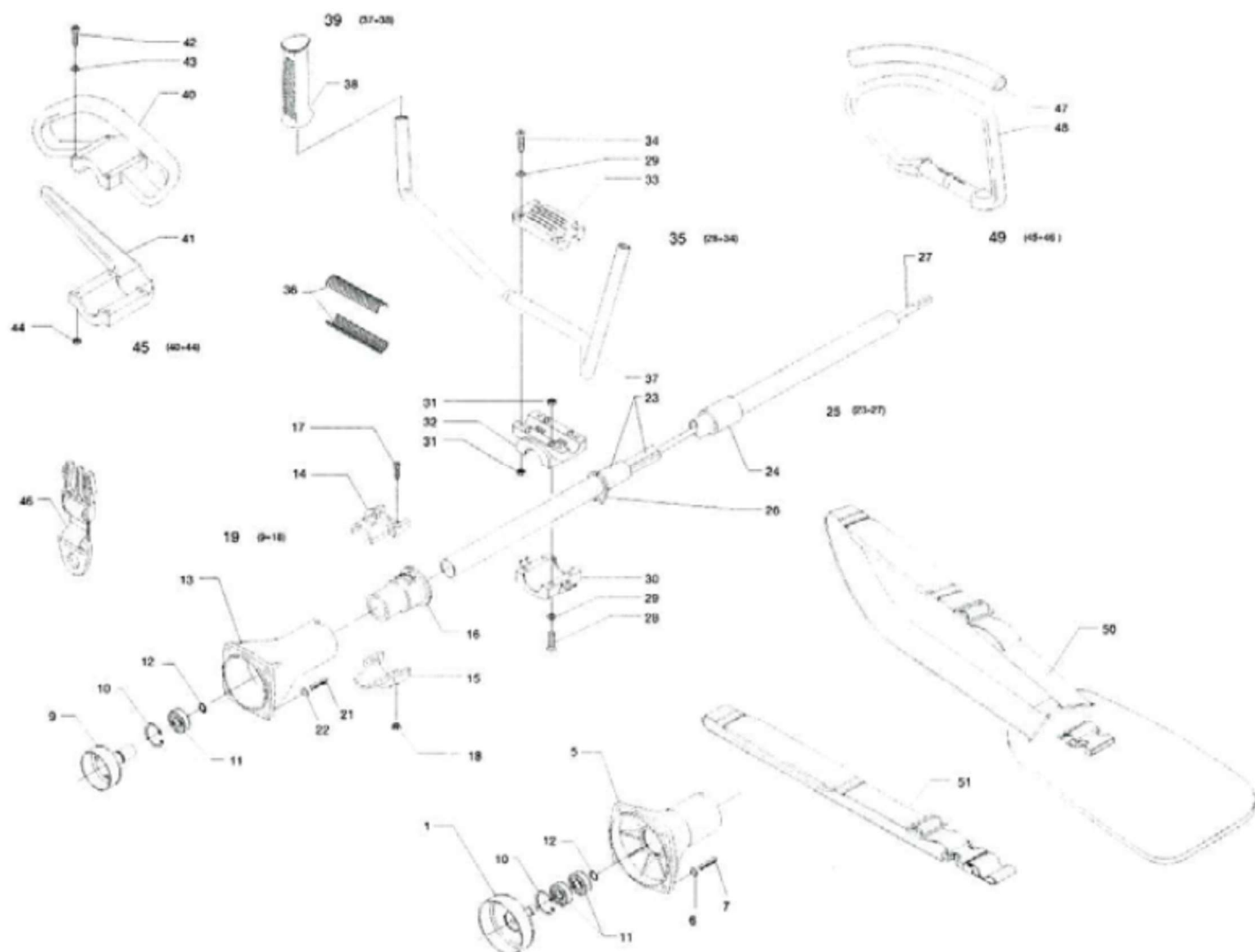


Esploso motore



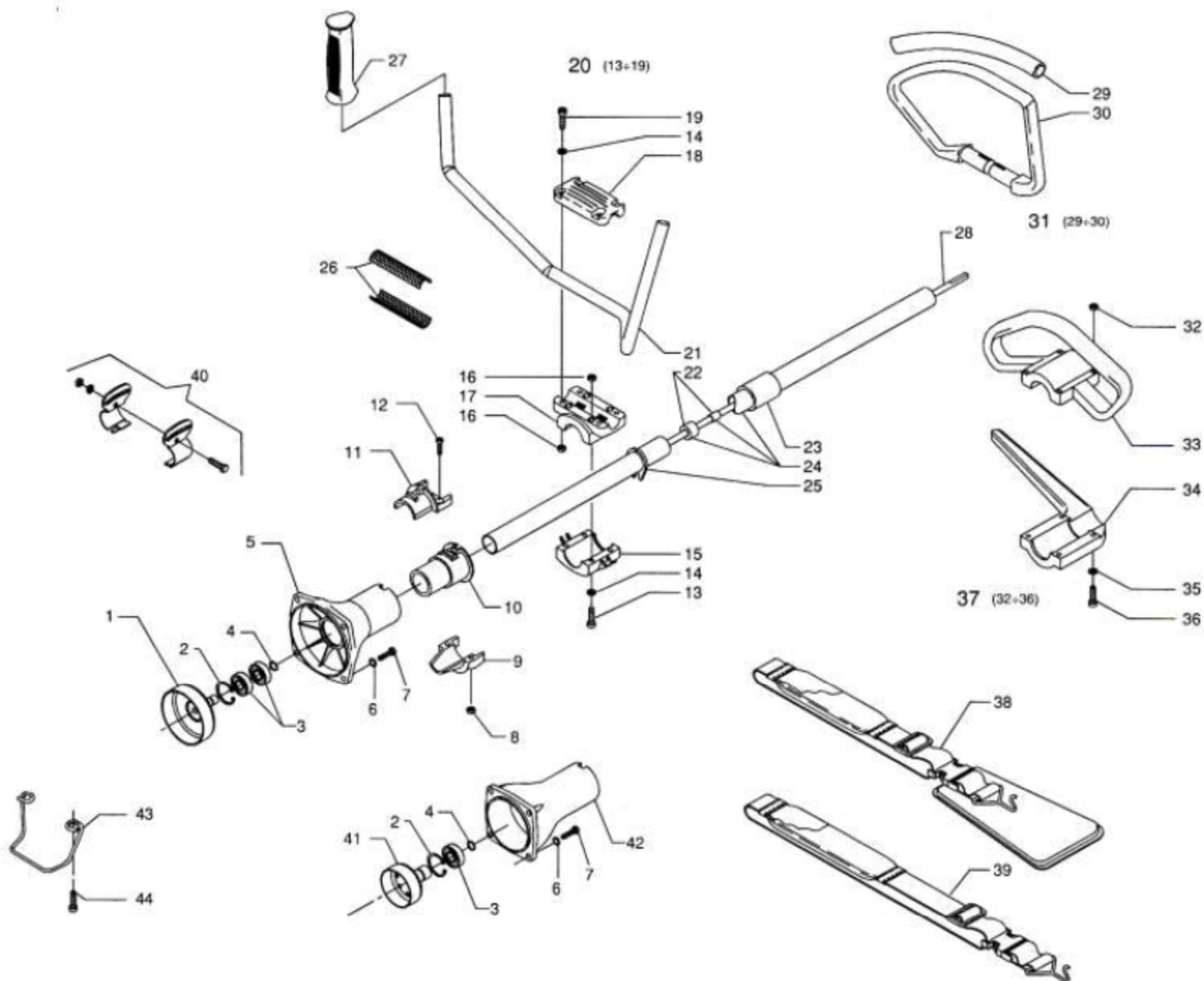
| No. | Descrizione | Q.t |
|--------|---------------------------|-----|
| 1 | Vite chiusura filtro aria | 1 |
| 2 | Coperchio esterno filtro | 1 |
| 3 | filtro aria | 1 |
| 4 | Vite M5 x 55 | 2 |
| 5 | Coperchio interno filtro | 1 |
| 6 | Vite | 1 |
| 7 | Otturatore aria | 1 |
| 8 | Leva filtro aria | 1 |
| 332130 | Carburatore | 1 |
| 10 | Guarnizione carburatore | 1 |
| 11 | Vite M5 x 20 | 6 |
| 12 | Collettore | 1 |
| 13 | Guarnizione collettore | 1 |
| 14 | Spina di centraggio | 4 |
| 15 | Vite M4 x 16 | 9 |
| 16 | Coperchio volano | 1 |
| 17 | Perno ceppo frizione | 2 |
| 18 | Rondella ceppo frizione | 2 |
| 19 | Ceppo frizione completo | 2 |
| 20 | Rondella | 2 |
| 21 | Molla frizione | 1 |
| 22 | Dado M8 x 1 | 1 |
| 23 | Rondella | 1 |
| 24 | Cavo massa | 1 |
| 25 | Gommino | 1 |
| 26 | Bobina | 1 |
| 26A | Volano | 1 |
| 27 | Vite M5 x 25 | 4 |
| 28 | Semicarter anteriore | 1 |
| 29 | Paratia | 1 |
| 30 | Guarnizione carter | 1 |
| 31 | Anelli di tenuta | 2 |
| 32 | Cuscinetto 6001/P5 | 2 |
| 33 | Chiavetta per albero | 1 |
| 34 | Albero motore | 1 |
| 35 | Semicarter posteriore | 1 |
| 36 | Supporto cricchetti | 1 |
| 37 | Fermo cricchetto | 1 |
| 38 | Cricchetto avviamento | 1 |
| 39 | Vite M5 x 10 | 1 |
| 40 | Molla avviamento | 1 |
| 41 | Puleggia avviamento | 1 |
| 42 | Carter avviamento | 1 |
| 43 | Boccola avviamento | 1 |
| 44 | Funicella avviamento | 1 |

| No. | Descrizione | Q.t |
|-----|------------------------------|-----|
| 45 | Impugnatura avviamento | 1 |
| 46 | Fermo funicella avviamento | 1 |
| 47 | Vite M5 x 14 | 1 |
| 48 | Coperchio | 1 |
| 49 | Coperchio cilindro | 1 |
| 50 | Vite M4 x 12 | 1 |
| 51 | Pipetta candela | 1 |
| 52 | Molla per candela | 1 |
| 53 | Gommino copricandela | 1 |
| 54 | Candela | 1 |
| 55 | Vite M5 x 20 | 4 |
| 56 | Rondella | 4 |
| 57 | Rondella | 4 |
| 58 | Guarnizione marmitta | 1 |
| 59 | Marmitta | 1 |
| 60 | Bullone | 2 |
| 61 | Rondella | 3 |
| 62 | Dado M5 | 2 |
| 63 | Cilindro | 1 |
| 64 | Guarnizione cilindro | 1 |
| 65 | Fascia elastica | 2 |
| 66 | Pistone | 1 |
| 67 | Anello d arresto | 2 |
| 68 | Spinotto pistone | 1 |
| 69 | Gabbia a rulli | 1 |
| 70 | Anello di sicurezza spinotto | 2 |
| 71 | Tappo serbatoio | 1 |
| 72 | Valvolina tappo | 1 |
| 73 | Sottotappo | 1 |
| 74 | Guarnizione tappo serbatoio | 1 |
| 75 | Tubo carico miscela | 1 |
| 76 | Tubo scarico miscela | 1 |
| 77 | Gommino | 1 |
| 78 | Pescante miscela | 1 |
| 79 | Serbatoio | 1 |
| 80 | Vite M5 x 16 | 1 |
| 81 | Vite M5 x 16 | 2 |
| 82 | Avviamento completo | 1 |



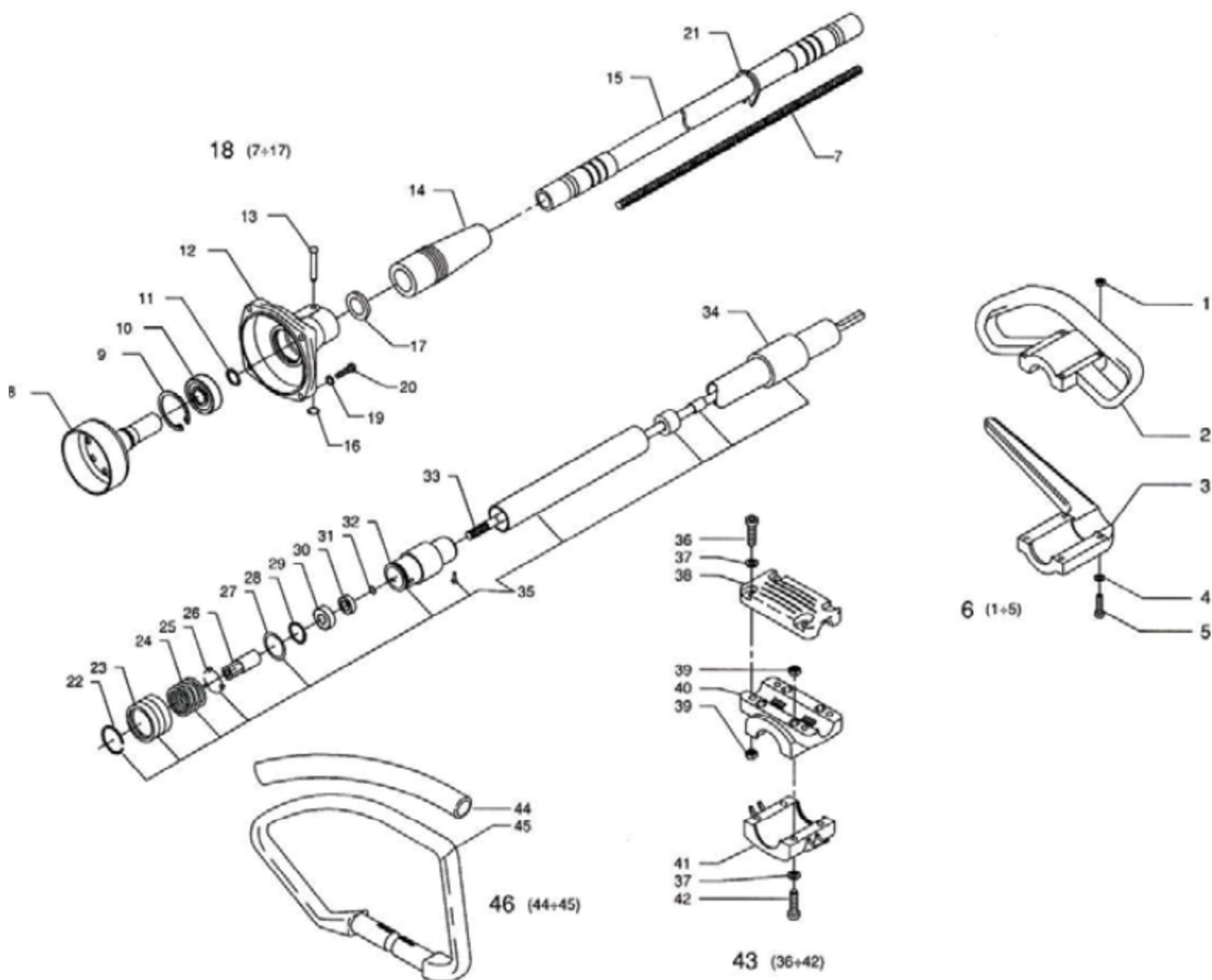
| REF. NO. | PART. NO. | QUANTITY | | | NOTE |
|----------|-----------|----------|------|------|------|
| | | C26 | EC34 | HO25 | |
| 1 | 752890 | | 1 | | |
| 5 | 480600 | | 1 | | |
| 6 | 090010 | | 4 | | |
| 7 | 030090 | | 4 | | |
| 9 | 752830 | 1 | | 1 | |
| 10 | 120070 | 1 | 1 | 1 | |
| 11 | 270240 | 1 | 2 | 1 | |
| 12 | 120020 | 1 | 1 | 1 | |
| 13 | 480590 | 1 | | 1 | |
| 14 | 481110 | 1 | 1 | 1 | |
| 15 | 481120 | 1 | 1 | 1 | |
| 16 | 544250 | 1 | 1 | 1 | |
| 17 | 030380 | 2 | 2 | 2 | |
| 18 | 060100 | 2 | 2 | 2 | |
| 19 | 725490 | 1 | 1 | 1 | |
| 20 | 150300 | 1 | 1 | 1 | |
| 21 | 030380 | 4 | | 4 | |
| 22 | 090830 | 4 | | 4 | |
| 23 | 752770 | 1 | 1 | 1 | |
| 24 | 544210 | 1 | 1 | 1 | |
| 25 | 752780 | 1 | 1 | 1 | |
| 26 | 540890 | 1 | 1 | 1 | |
| 27 | 391700 | 1 | 1 | 1 | |
| 28 | 030810 | 4 | 4 | 4 | |

| REF. NO. | PART. NO. | QUANTITY | | | NOTE |
|----------|-----------|----------|------|------|------|
| | | C26 | EC34 | HO25 | |
| 29 | 090040 | 4 | 4 | 4 | |
| 30 | 542430 | 1 | 1 | 1 | |
| 31 | 060130 | 8 | 8 | 8 | |
| 32 | 542440 | 1 | 1 | 1 | |
| 33 | 542450 | 1 | 1 | 1 | |
| 34 | 030630 | 4 | 4 | 4 | |
| 35 | 722820 | 1 | 1 | 1 | |
| 36 | 511030 | 2 | 2 | 2 | |
| 37 | 570670 | 1 | 1 | 1 | |
| 38 | 543490 | 1 | 1 | 1 | |
| 39 | 724120 | 1 | 1 | 1 | |
| 40 | 540560 | 1 | 1 | 1 | |
| 41 | 543390 | 1 | 1 | 1 | |
| 42 | 030620 | 4 | 4 | 4 | |
| 43 | 090780 | 4 | 4 | 4 | |
| 44 | 060100 | 4 | 4 | 4 | |
| 45 | 724570 | 1 | 1 | 1 | |
| 46 | 753010 | 1 | 1 | 1 | |
| 47 | 570530 | 1 | 1 | 1 | |
| 48 | 542420 | 1 | 1 | 1 | |
| 49 | 722830 | 1 | 1 | 1 | |
| 50 | 753020 | 1 | 1 | 1 | |
| 51 | 752810 | 1 | 1 | 1 | |



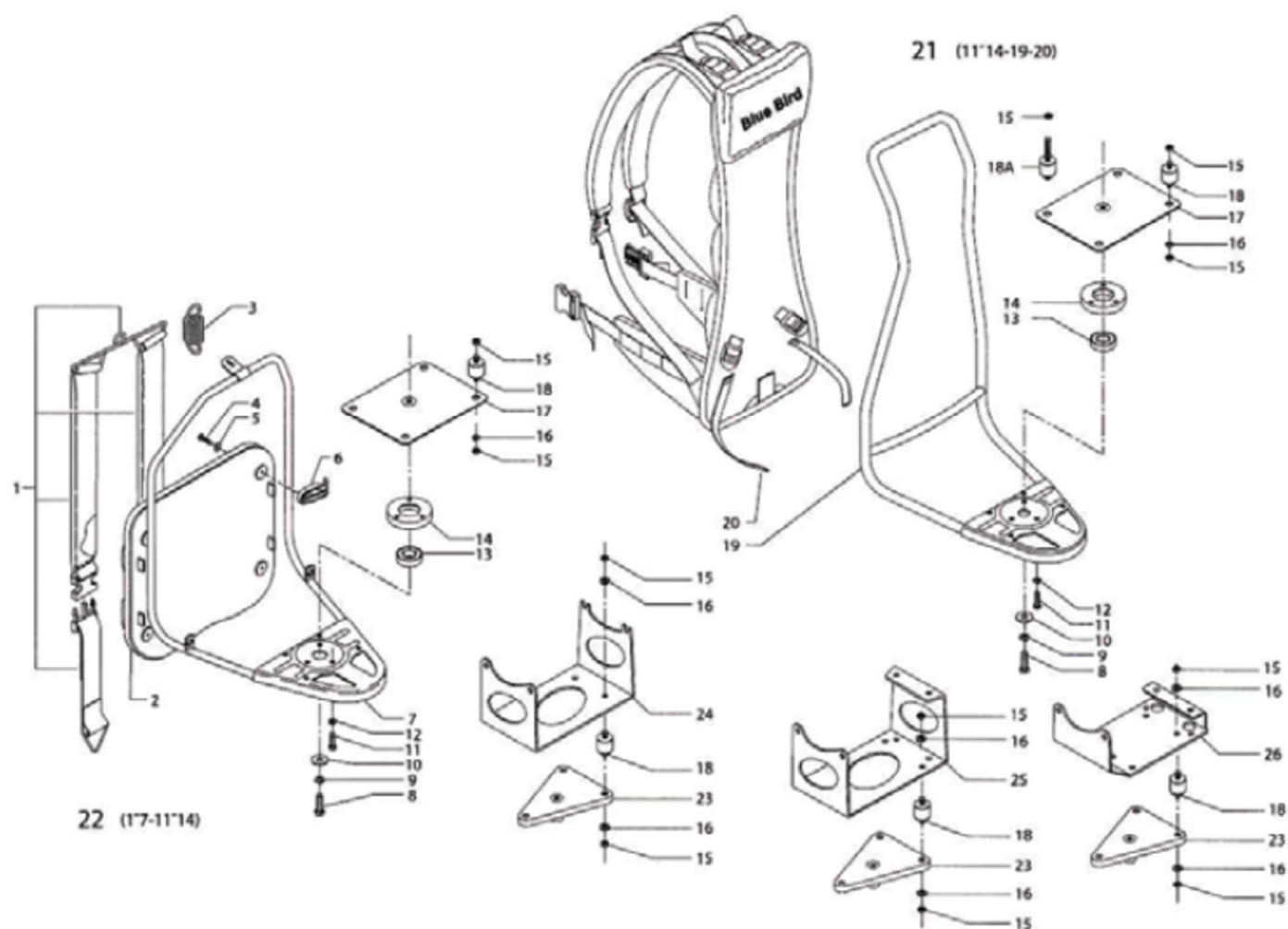
| REF. NO. | PART. NO. | QUANTITY | | | | NOTE |
|----------|-----------|----------|-------------|----------|------|------|
| | | TH 26 | TH 34 43/48 | C34 HO35 | HO31 | |
| 1 | 752390 | | 1 | | | |
| | 751300 | | | 1 | 1 | |
| 2 | 120070 | 1 | 1 | 1 | 1 | |
| 3 | 270240 | 1 | 2 | 2 | 2 | |
| 4 | 120020 | 1 | 1 | 1 | 1 | |
| 5 | 480600 | | 1 | 1 | 1 | |
| 6 | 090010 | 4 | 4 | 4 | 4 | |
| 7 | 030090 | 4 | 4 | 4 | 4 | |
| 8 | 060100 | 2 | 2 | 2 | 2 | |
| 9 | 480620 | 1 | 1 | 1 | 1 | |
| 10 | 541260 | 1 | 1 | 1 | 1 | |
| 11 | 480610 | 1 | 1 | 1 | 1 | |
| 12 | 030380 | 2 | 2 | 2 | 2 | |
| 13 | 030810 | 4 | 4 | 4 | 4 | |
| 14 | 090040 | 8 | 8 | 8 | 8 | |
| 15 | 542430 | 1 | 1 | 1 | 1 | |
| 16 | 060130 | 8 | 8 | 8 | 8 | |
| 17 | 542440 | 1 | 1 | 1 | 1 | |
| 18 | 542450 | 1 | 1 | 1 | 1 | |
| 19 | 030630 | 4 | 4 | 4 | 4 | |
| 20 | 722620 | 1 | 1 | 1 | 1 | |
| 21 | 570670 | 1 | 1 | 1 | 1 | |
| 22 | 751640 | 5 | 5 | 5 | 5 | |

| REF. NO. | PART. NO. | QUANTITY | | | | NOTE |
|----------|-----------|----------|-------------|----------|------|------|
| | | TH26 | TH34/ 43/48 | C34 HO35 | HO31 | |
| 23 | 540420 | 1 | 1 | 1 | 1 | |
| 24 | 750540 | 1 | 1 | 1 | 1 | |
| 25 | 540690 | 1 | 1 | 1 | 1 | |
| 26 | 511030 | 2 | 2 | 2 | 2 | |
| 27 | 543490 | 1 | 1 | 1 | 1 | |
| 28 | 391030 | 1 | 1 | 1 | 1 | |
| 29 | 570530 | 1 | 1 | 1 | 1 | |
| 30 | 542420 | 1 | 1 | 1 | 1 | |
| 31 | 722830 | 1 | 1 | 1 | 1 | |
| 32 | 060100 | 4 | 4 | 4 | 4 | |
| 33 | 540560 | 1 | 1 | 1 | 1 | |
| 34 | 543390 | 1 | 1 | 1 | 1 | |
| 35 | 090780 | 4 | 4 | 4 | 4 | |
| 36 | 030620 | 4 | 4 | 4 | 4 | |
| 37 | 724570 | 1 | 1 | 1 | 1 | |
| 38 | 751620 | 1 | 1 | 1 | 1 | |
| 39 | 751580 | 1 | 1 | 1 | 1 | |
| 40 | 750920 | 1 | 1 | 1 | 1 | |
| 41 | 752220 | 1 | | | | |
| 42 | 480590 | 1 | | | | |
| 43 | 150360 | | | | 1 | |
| 44 | 031030 | | | | 2 | |

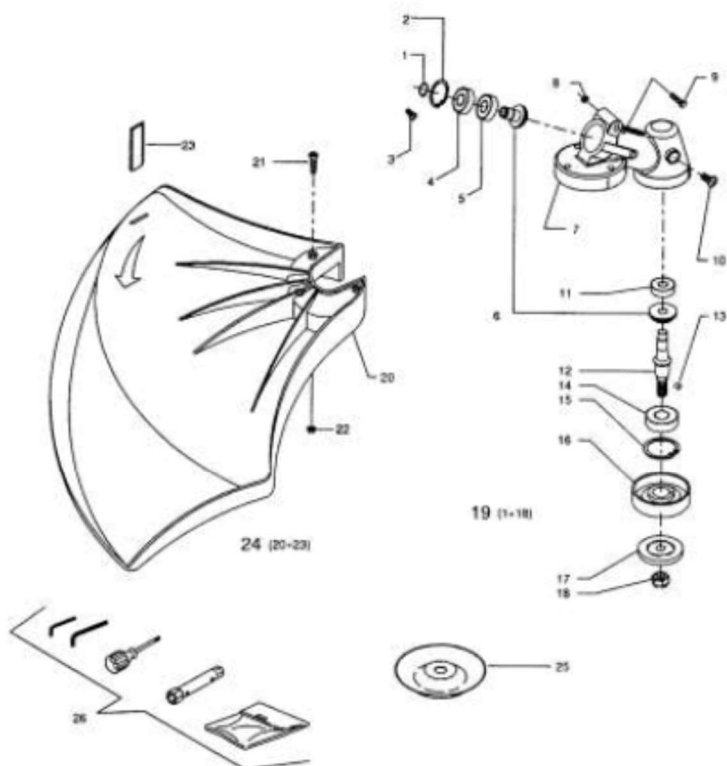


| REF. NO. | PART. NO. | QUANTITY | | | | NOTE |
|----------|-----------|----------|-------|------|----------------|------|
| | | TH43Z | TH48Z | C34Z | ZH031 ZH035 | |
| 1 | 060100 | 4 | 4 | 4 | 4 | |
| 2 | 540560 | 1 | 1 | 1 | 1 | |
| 3 | 543390 | 1 | 1 | 1 | 1 | |
| 4 | 090780 | 4 | 4 | 4 | 4 | |
| 5 | 030620 | 4 | 4 | 4 | 4 | |
| 6 | 724570 | 1 | 1 | 1 | 1 | |
| 7 | 390790 | 1 | 1 | 1 | 1 | |
| 8 | 750870 | 1 | 1 | 1 | 1 | |
| 9 | 120030 | 1 | 1 | 1 | 1 | |
| 10 | 270080 | 1 | 1 | 1 | 1 | |
| 11 | 120050 | 1 | 1 | 1 | 1 | |
| 12 | 480420 | 1 | 1 | 1 | 1 | |
| 13 | 390290 | 1 | 1 | 1 | 1 | |
| 14 | 540210 | 2 | 2 | 2 | 2 | |
| 15 | 721410 | 1 | 1 | 1 | 1 | |
| 16 | 120160 | 1 | 1 | 1 | 1 | |
| 17 | 240150 | 2 | 2 | 2 | 2 | |
| 18 | 721140 | 1 | 1 | 1 | 1 | |
| 19 | 090010 | 4 | 4 | 4 | 4 | |
| 20 | 030030 | 4 | 4 | 4 | 4 | |
| 21 | 540690 | 2 | 2 | 2 | 2 | |
| 22 | 150170 | 1 | 1 | 1 | 1 | |
| 23 | 090680 | 1 | 1 | 1 | 1 | |

| REF. NO. | PART. NO. | QUANTITY | | | | NOTE |
|----------|-----------|----------|-------|------|----------------|------|
| | | TH43Z | TH48Z | C34Z | ZH031 ZH035 | |
| 24 | 180130 | 1 | 1 | 1 | 1 | |
| 25 | 270210 | 3 | 3 | 3 | 3 | |
| 26 | 091050 | 1 | 1 | 1 | 1 | |
| 27 | 240150 | 2 | 2 | 2 | 2 | |
| 28 | 120170 | 1 | 1 | 1 | 1 | |
| 29 | 270110 | 1 | 1 | 1 | 1 | |
| 30 | 090380 | 1 | 1 | 1 | 1 | |
| 31 | 150080 | 1 | 1 | 1 | 1 | |
| 32 | 090670 | 1 | 1 | 1 | 1 | |
| 33 | 391110 | 1 | 1 | 1 | 1 | |
| 34 | 540420 | 1 | 1 | 1 | 1 | |
| 35 | 720800 | 1 | 1 | 1 | 1 | |
| 36 | 030630 | 4 | 4 | 4 | 4 | |
| 37 | 090040 | 8 | 8 | 8 | 8 | |
| 38 | 542450 | 1 | 1 | 1 | 1 | |
| 39 | 060130 | 8 | 8 | 8 | 8 | |
| 40 | 542440 | 1 | 1 | 1 | 1 | |
| 41 | 542430 | 1 | 1 | 1 | 1 | |
| 42 | 030810 | 4 | 4 | 4 | 4 | |
| 43 | 722620 | 1 | 1 | 1 | 1 | |
| 44 | 570530 | 1 | 1 | 1 | 1 | |
| 45 | 542420 | 1 | 1 | 1 | 1 | |
| 46 | 722830 | 1 | 1 | 1 | 1 | |



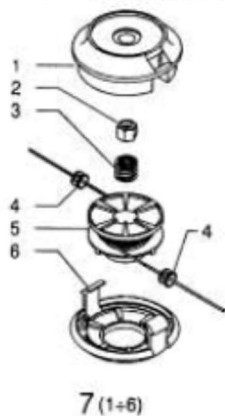
| REF. NO. | PART. NO. | QUANTITY | | | | | NOTE |
|----------|-----------|----------|-------|------|-------|-------|------|
| | | TH43Z | TH48Z | C34Z | ZH031 | ZH035 | |
| 1 | 722630 | 1 | 1 | 1 | 1 | 1 | |
| 2 | 751480 | 1 | 1 | 1 | 1 | 1 | |
| 3 | 180280 | 1 | 1 | 1 | 1 | 1 | |
| 4 | 030360 | 4 | 4 | 4 | 4 | 4 | |
| 5 | 090720 | 4 | 4 | 4 | 4 | 4 | |
| 6 | 542490 | 4 | 4 | 4 | 4 | 4 | |
| 7 | 751500 | 1 | 1 | 1 | 1 | 1 | |
| 8 | 030190 | 1 | 1 | 1 | 1 | 1 | |
| 9 | 090080 | 1 | 1 | 1 | 1 | 1 | |
| 10 | 090700 | 1 | 1 | 1 | 1 | 1 | |
| 11 | 030230 | 3 | 3 | 3 | 3 | 3 | |
| 12 | 090010 | 3 | 3 | 3 | 3 | 3 | |
| 13 | 270060 | 1 | 1 | 1 | 1 | 1 | |
| 14 | 480060 | 1 | 1 | 1 | 1 | 1 | |
| 15 | 060060 | 8 | 8 | 8 | 8 | 8 | |
| 16 | 090010 | 4 | 4 | 4 | 4 | 4 | |
| 17 | 752450 | | | | 1 | | |
| 18 | 180060 | 4 | 4 | 4 | 2 | 4 | |
| 18A | 180330 | | | | 2 | | |
| 19 | 752360 | 1 | 1 | 1 | 1 | 1 | |
| 20 | 752260 | 1 | 1 | 1 | 1 | 1 | |
| 21 | 723610 | 1 | 1 | 1 | 1 | | |
| 22 | 722280 | 1 | 1 | 1 | 1 | | |
| 23 | 751190 | 1 | 1 | 1 | 1 | 1 | |
| 24 | 511220 | 1 | 1 | | | | |
| 25 | 511310 | | | 1 | | | |
| 26 | 511320 | | | | | 1 | |



| REF. NO. | PART. NO. | QUANTITY | | | NOTE |
|----------|-----------|----------|------|------|------|
| | | C26 | EC34 | HO25 | |
| 1 | 120280 | 1 | 1 | 1 | |
| 2 | 120290 | 1 | 1 | 1 | |
| 3 | 030800 | 1 | 1 | 1 | |
| 4 | 270410 | 1 | 1 | 1 | |
| 5 | 270400 | 1 | 1 | 1 | |
| 6 | 725250 | 1 | 1 | 1 | |
| 7 | 481100 | 1 | 1 | 1 | |
| 8 | 060100 | 1 | 1 | 1 | |
| 9 | 031310 | 1 | 1 | 1 | |
| 10 | 031300 | 1 | 1 | 1 | |
| 11 | 270390 | 1 | 1 | 1 | |
| 12 | 391690 | 1 | 1 | 1 | |
| 13 | 420010 | 1 | 1 | 1 | |
| 14 | 270430 | 1 | 1 | 1 | |
| 15 | 120010 | 1 | 1 | 1 | |
| 16 | 091720 | 1 | 1 | 1 | |
| 17 | 091730 | 1 | 1 | 1 | |
| 18 | 060470 | 1 | 1 | 1 | |
| 19 | 725240A | 1 | 1 | 1 | |
| 20 | 542930 | 1 | 1 | 1 | |
| 21 | 031340 | 3 | 3 | 3 | |
| 22 | 060460 | 3 | 3 | 3 | |
| 23 | 511090 | 1 | 1 | 1 | |
| 24 | 725260 | 1 | 1 | 1 | |
| 25 | 510470 | 1 | 1 | 1 | |
| 26 | 725650 | 1 | 1 | 1 | |

FIG. 7

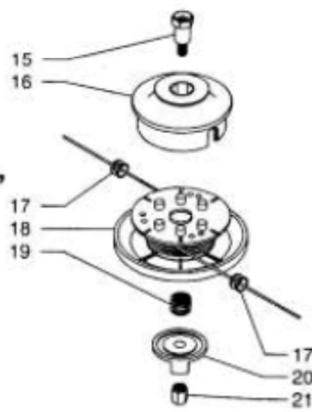
"FLASH LIGHT"



7 (1+6)

| FLASH LIGHT | | Qt. |
|-------------|--------|-----|
| 1 | 543260 | 1 |
| 2 | 391770 | 1 |
| 3 | 180370 | 1 |
| 4 | 091350 | 2 |
| 5 | 543280 | 1 |
| 6 | 543270 | 1 |
| 7 | 723430 | 1 |

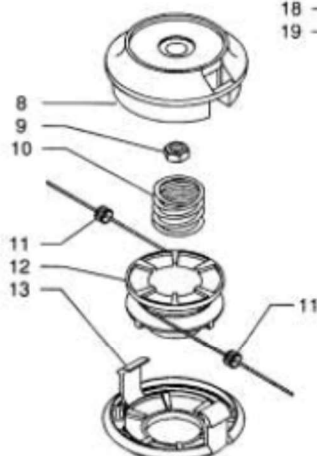
"FLASH QUICK"



22 (15+21)

| FLASH QUICK | | Qt. |
|-------------|--------|-----|
| 15 | 391510 | 1 |
| 16 | 543460 | 1 |
| 17 | 091350 | 2 |
| 18 | 724140 | 1 |
| 19 | 180110 | 1 |
| 20 | 543430 | 1 |
| 21 | 091600 | 1 |
| 22 | 723590 | 1 |

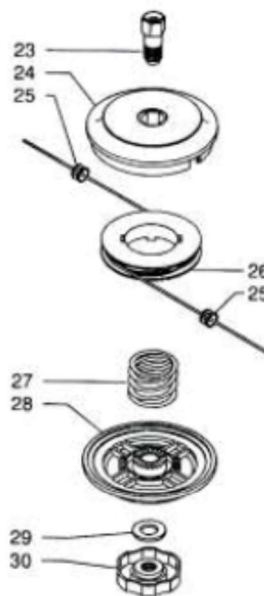
"FLASH RAPID"



14 (8+13)

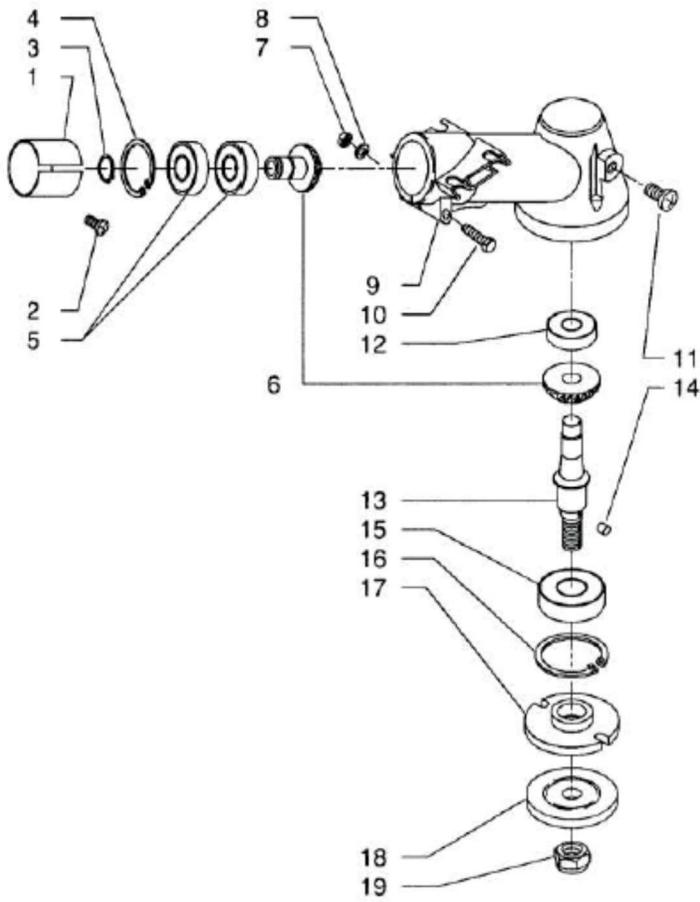
| FLASH RAPID | | Qt. |
|-------------|--------|-----|
| 8 | 542180 | 1 |
| 9 | 060220 | 1 |
| 10 | 180180 | 1 |
| 11 | 091350 | 2 |
| 12 | 542170 | 1 |
| 13 | 542190 | 1 |
| 14 | 722540 | 1 |

"FLASH"

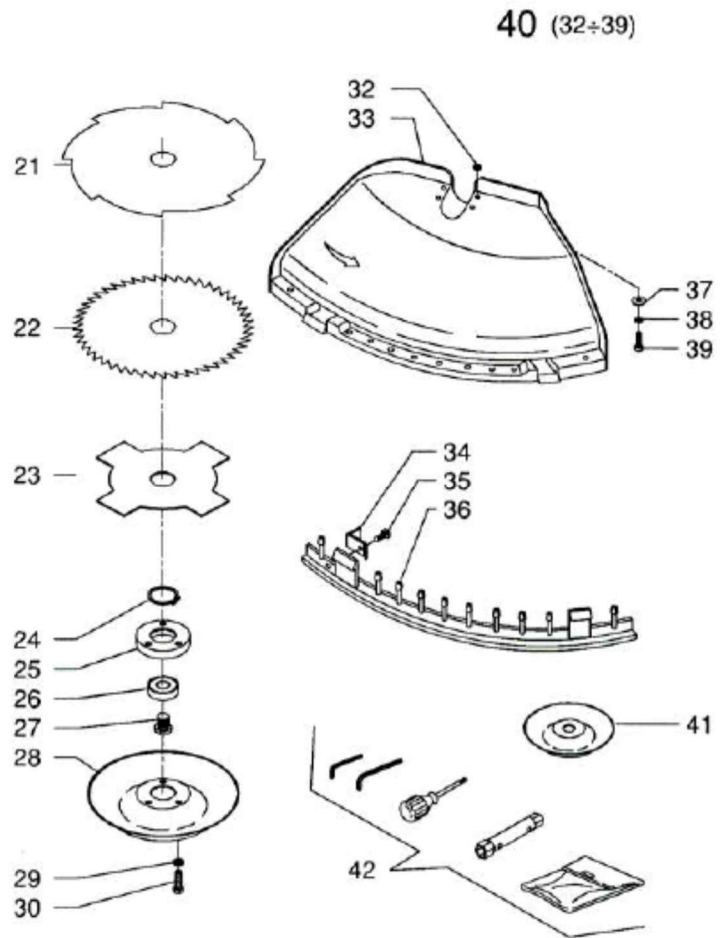


31 (23+30)

| FLASH | | Qt. |
|-------|--------|-----|
| 23 | 390540 | 1 |
| 24 | 541110 | 1 |
| 25 | 091350 | 2 |
| 26 | 540340 | 1 |
| 27 | 180110 | 1 |
| 28 | 541100 | 1 |
| 29 | 090590 | 1 |
| 30 | 480310 | 1 |
| 31 | 720670 | 1 |



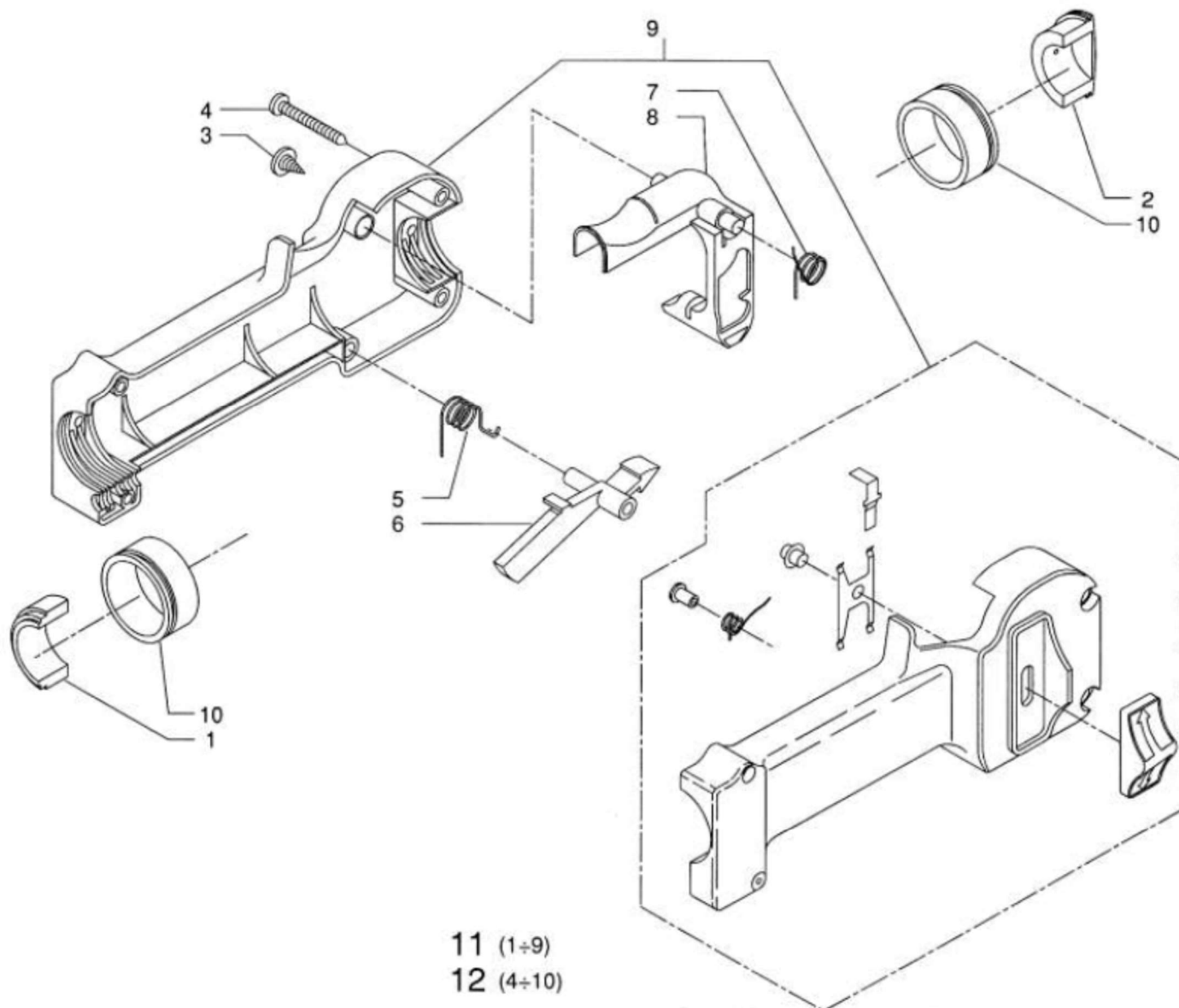
20 (1+19)



31 (24+30)

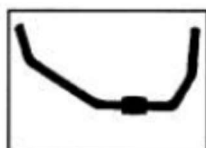
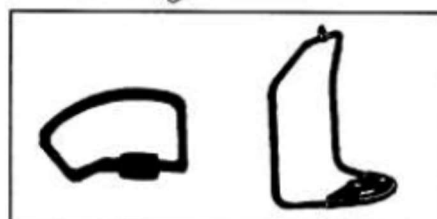
| REF. NO. | PART. NO. | QUANTITY | | | | | NOTE |
|----------|-----------|----------|------|---------------------|-------------|---------------------|------|
| | | TH26 | TH34 | TH43/48 TH43/48Z | C34 C34Z | HO31/35 ZHO31/35 | |
| 1 | 090020 | 1 | 1 | 1 | 1 | 1 | |
| 2 | 030800 | 1 | 1 | 1 | 1 | 1 | |
| 3 | 120020 | 1 | 1 | 1 | 1 | 1 | |
| 4 | 120010 | 1 | 1 | 1 | 1 | 1 | |
| 5 | 270010 | 2 | 2 | 2 | 2 | 2 | |
| 6 | 723360 | 1 | 1 | 1 | 1 | 1 | |
| 7 | 060060 | 1 | 1 | 1 | 1 | 1 | |
| 8 | 090010 | 1 | 1 | 1 | 1 | 1 | |
| 9 | 480470 | 1 | 1 | 1 | 1 | 1 | |
| 10 | 030010 | 1 | 1 | 1 | 1 | 1 | |
| 11 | 031080 | 1 | 1 | 1 | 1 | 1 | |
| 12 | 270020 | 1 | 1 | 1 | 1 | 1 | |
| 13 | 390010 | 1 | 1 | 1 | 1 | 1 | |
| 14 | 420010 | 1 | 1 | 1 | 1 | 1 | |
| 15 | 270030 | 1 | 1 | 1 | 1 | 1 | |
| 16 | 120030 | 1 | 1 | 1 | 1 | 1 | |
| 17 | 091560 | 1 | 1 | 1 | 1 | 1 | |
| 18 | 090070 | 1 | 1 | 1 | 1 | 1 | |
| 19 | 060470 | 1 | 1 | 1 | 1 | 1 | |
| 20 | 722760 | 1 | 1 | 1 | 1 | 1 | |
| 21 | 600040 | 1 | 1 | 1 | 1 | 1 | |

| REF. NO. | PART. NO. | QUANTITY | | | | | NOTE |
|----------|-----------|----------|------|---------------------|-------------|---------------------|------|
| | | TH26 | TH34 | TH43/48 TH43/48Z | C34 C34Z | HO31/35 ZHO31/35 | |
| 22 | 600060 | 1 | 1 | 1 | 1 | 1 | |
| 23 | 600260 | 1 | 1 | 1 | 1 | 1 | |
| 24 | 120050 | 1 | 1 | 1 | 1 | 1 | |
| 25 | 480060 | 1 | 1 | 1 | 1 | 1 | |
| 26 | 270060 | 1 | 1 | 1 | 1 | 1 | |
| 27 | 060160 | 1 | 1 | 1 | 1 | 1 | |
| 28 | 510030 | 1 | 1 | 1 | 1 | 1 | |
| 29 | 090010 | 3 | 3 | 3 | 3 | 3 | |
| 30 | 030050 | 3 | 3 | 3 | 3 | 3 | |
| 31 | 720080 | 1 | 1 | 1 | 1 | 1 | |
| 32 | 060100 | 4 | 4 | 4 | 4 | 4 | |
| 33 | 542410 | 1 | 1 | 1 | 1 | 1 | |
| 34 | 511020 | 1 | 1 | 1 | 1 | 1 | |
| 35 | 030820 | 1 | 1 | 1 | 1 | 1 | |
| 36 | 542400 | 1 | 1 | 1 | 1 | 1 | |
| 37 | 091360 | 4 | 4 | 4 | 4 | 4 | |
| 38 | 090150 | 4 | 4 | 4 | 4 | 4 | |
| 39 | 031020 | 4 | 4 | 4 | 4 | 4 | |
| 40 | 722690 | 1 | 1 | 1 | 1 | 1 | |
| 41 | 510470 | 1 | 1 | 1 | 1 | 1 | |
| 42 | 720330 | 1 | 1 | 1 | 1 | 1 | |




11 (1+9)

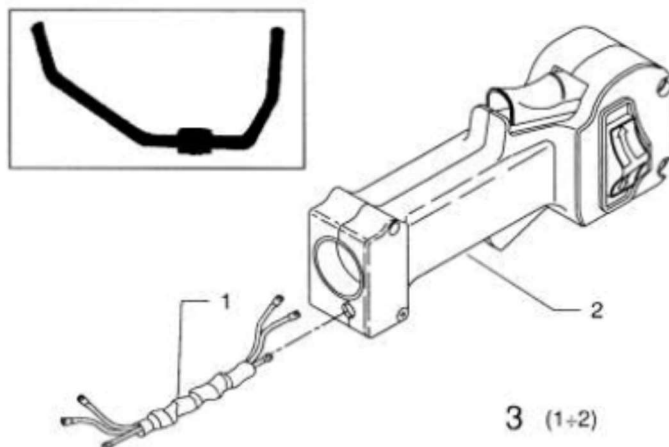
12 (4+10)




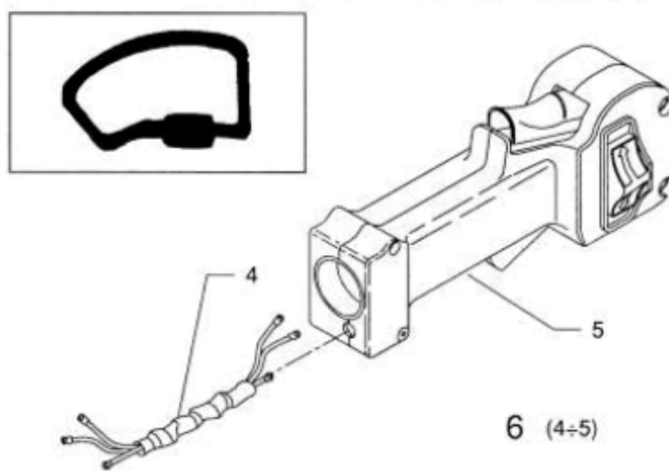
| REF. NO. | PART. NO. | QUANTITY | | | | NOTE |
|----------|-----------|----------|---------|----------------|------------|------|
| | | TH26/34 | TH43/48 | C26/34 EC34 | HO25/31/35 | |
| 1 | 541430 | 2 | 2 | 2 | 2 | |
| 2 | 541440 | 2 | 2 | 2 | 2 | |
| 3 | 030650 | 1 | 1 | 1 | 1 | |
| 4 | 030860 | 4 | 4 | 4 | 4 | |
| 5 | 180230 | 1 | 1 | 1 | 1 | |
| 6 | 541410 | 1 | 1 | 1 | 1 | |
| 7 | 180220 | 1 | 1 | 1 | 1 | |
| 8 | 541400 | 1 | 1 | 1 | 1 | |
| 9 | 750890 | 1 | 1 | 1 | 1 | |
| 10 | 541450 | - | - | - | - | |
| 11 | 721440 | 1 | 1 | 1 | 1 | |
| 12 | 721450 | - | - | - | - | |


| REF. NO. | PART. NO. | QUANTITY | | | | NOTE |
|----------|-----------|--------------------------------|---------------------|---------------------|---------------------|------|
| | | HO25T C26T/C26 EC34/HO25 | TH43/48 TH43/48Z | TH26/34 C34/C34Z | HO31/35 ZHO31/35 | |
| 1 | 541430 | - | - | - | - | |
| 2 | 541440 | - | - | - | - | |
| 3 | 030650 | - | - | - | - | |
| 4 | 030860 | 4 | 4 | 4 | 4 | |
| 5 | 180230 | 1 | 1 | 1 | 1 | |
| 6 | 541410 | 1 | 1 | 1 | 1 | |
| 7 | 180220 | 1 | 1 | 1 | 1 | |
| 8 | 541400 | 1 | 1 | 1 | 1 | |
| 9 | 750890 | 1 | 1 | 1 | 1 | |
| 10 | 541450 | - | 2 | 2 | 2 | |
| | 544220 | 2 | - | - | - | |
| 11 | 721440 | - | - | - | - | |
| 12 | 721450 | - | 1 | 1 | 1 | |
| | 725270 | 1 | - | - | - | |

| REF. NO. | PART. NO. | QUANTITY | | | |  |
|----------|-----------|----------|--------------------|-------------|-----------------|---|
| | | C26 | TH26/34 TH43/48 | EC34 C34 | HO25 HO31/35 | |
| 1 | 752240 | 1 | | | 1 | |
| | 752430 | | 1 | 1 | | |
| 2 | 721440 | 1 | 1 | 1 | 1 | |
| 3 | 723540 | 1 | | | 1 | |
| | 723960 | | 1 | 1 | | |



| REF. NO. | PART. NO. | QUANTITY | | | | |  |
|----------|-----------|-------------------|------|----------------|-------------|---------|---|
| | | C26T/ C26 HO25 | EC34 | TH26/34 C34 | TH43/ 48 | HO31/35 | |
| 4 | 752230 | 1 | | | | 1 | |
| | 752380 | | 1 | 1 | | | |
| | 752630 | | | | 1 | | |
| 5 | 721450 | | | 1 | 1 | 1 | |
| | 725270 | 1 | 1 | | | | |
| 6 | 723530 | | | | | 1 | |
| | 723890 | | | 1 | | | |
| | 725120 | | | | 1 | | |
| | 725530 | 1 | | | | | |
| | 725780 | | 1 | | | | |



| REF. NO. | PART. NO. | QUANTITY | | |  |
|----------|-----------|----------|------|----------|---|
| | | TH43/48Z | C34Z | ZHO31/35 | |
| 7 | 752250 | | | 1 | |
| | 752570 | 1 | 1 | | |
| 8 | 541860 | 1 | 1 | 1 | |
| 9 | 751310 | 1 | 1 | 1 | |
| 10 | 721450 | 1 | 1 | 1 | |
| 11 | 721920 | 1 | 1 | 1 | |

