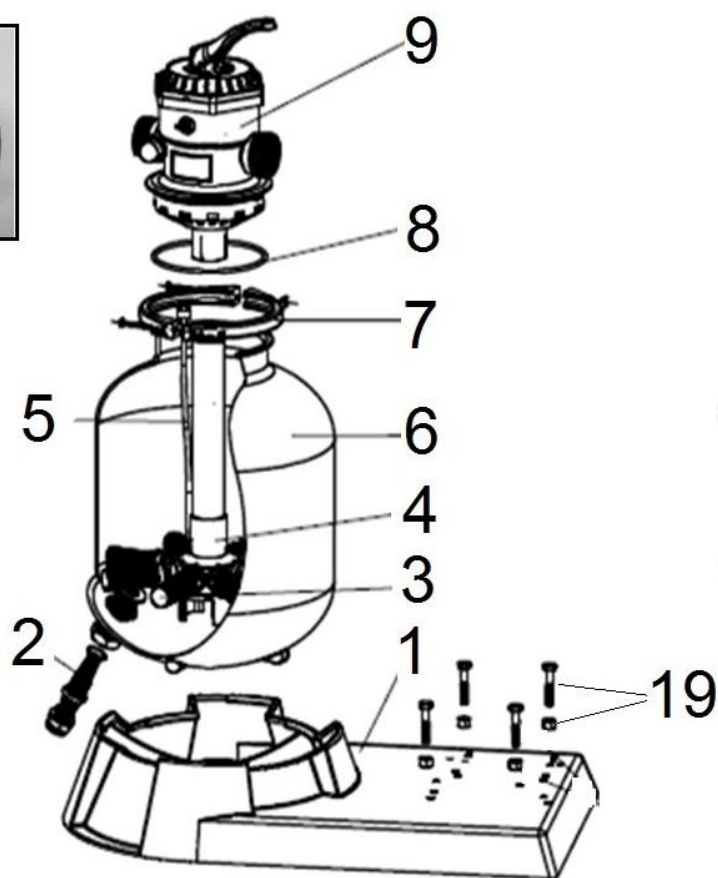




20



17



| Position | Part number | Název             | Name                 |
|----------|-------------|-------------------|----------------------|
| 1        | Nedostupné  | Základna          | Base                 |
| 2        | 302016002   | Vypouštěcí šroub  | Drain plug           |
| 3        | 302016003   | Filtr             | Filter               |
| 4        | 302016004   | Trubice           | Pipe                 |
| 5        | 302016005   | Odvzdušnění       | Air release assembly |
| 6        | 302016006   | Nádoba            | Tank                 |
| 7        | 302016007   | Objímka           | Sleeve clamp         |
| 8        | 302016008   | O kroužek         | O ring               |
| 9        | 302016009   | Rozvodový ventil  | 6-way valve          |
| 14       | 302016014   | Adaptér hadice    | Hose adapter         |
| 15       | 302016015   | Hadice            | Hose                 |
| 17       | 302016017   | Motor s čerpadlem | Motor with pump      |
| 19       | 302016019   | Šroub s maticí    | Bolt with nut        |
| 20       | 302016020   | Adaptér hadice    | Hose connector       |